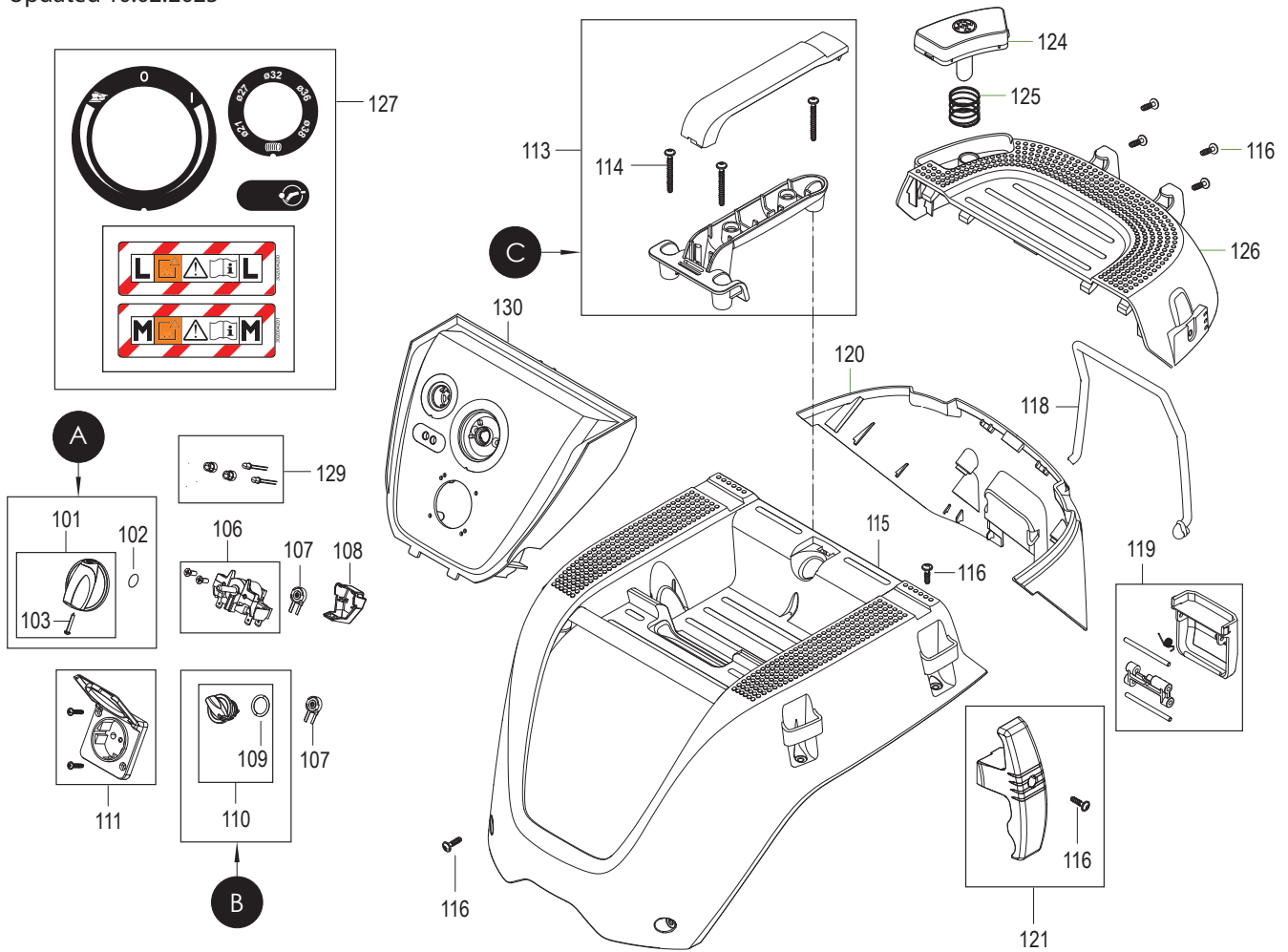


Exploded view of Dust Extractor 1230 M • PC • 110V

Updated 10.02.2025



Parts list – kits

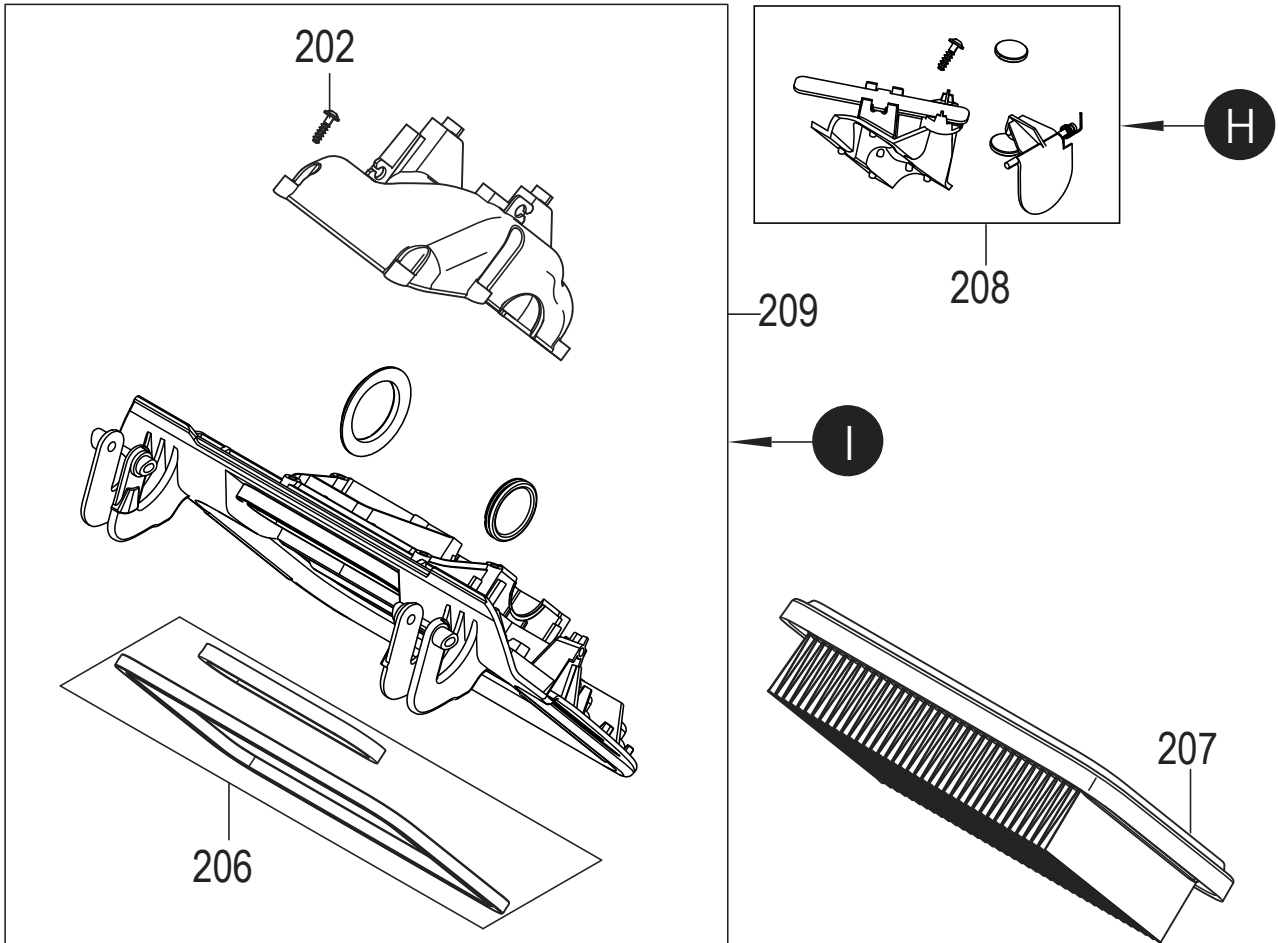
| Mirka code | Item | Description | Kit | Qty |
|-------------------|------|-------------------------|-----|-----|
| 8999603611 | | Rotary knob kit | A | |
| | 101 | Rotary knob | | 1 |
| | 102 | O-ring 10 x 2,5 mm | | 1 |
| | 103 | Screw 2,9 x 19 mm | | 1 |
| 8999211011 | | Turning knob kit | B | |
| | 109 | O-ring 16 x 2 mm | | 1 |
| | 110 | Turning knob | | 1 |
| 8999211311 | | Handle kit | C | |
| | 113 | Handle kit | | 1 |
| | 114 | Screw 5 x 45 mm | | 3 |

Parts list – spare parts

| Mirka code | Item | Description | Kit | Qty |
|---------------------|------------|--|-----|-----|
| | 101 | Rotary knob | A | 1 |
| | 102 | O-ring 10 x 2,5 mm | A | 1 |
| | 103 | Screw 2,9 x 19 mm | A | 1 |
| 8999110611 | 106 | Rotary switch 16 A PC | | 1 |
| 8999210711 | 107 | Potentiometer with wire | | 2 |
| 8999210811 | 108 | Cap for pot-meter | | 1 |
| | 109 | O-ring 16 x 2 mm | B | 1 |
| | 110 | Turning knob | B | 1 |
| 8999711211GB | 111 | Socket 16 A / 110V, GB | | 1 |
| | 113 | Handle kit | C | 1 |
| | 114 | Screw 5 x 45 mm | C | 3 |
| 8999211511 | 115 | Top cover | | 1 |
| 8999701411 | 116 | Screw 5 x 18 mm | | 17 |
| 8999211811 | 118 | Cord strap | | 1 |
| 8999211911 | 119 | Hatch door clamp kit | | 1 |
| 8999212011 | 120 | Hatchback lower cover | | 1 |
| 8999212111 | 121 | Hose hook | | 1 |
| 8999112411 | 124 | PC button | | 1 |
| 8999112511 | 125 | Spring to button | | 1 |
| 8999112611 | 126 | Hatch door upper cover PC | | 1 |
| 8999112711 | 127 | Label kit PC control panel & dust class | | 1 |
| 8999212911 | 129 | LED indicator kit M | | 1 |
| 8999113011 | 130 | Control panel M PC | | 1 |

Exploded view of Dust Extractor 1230 M • PC • 110V

Updated 10.02.2025



Parts list – kits

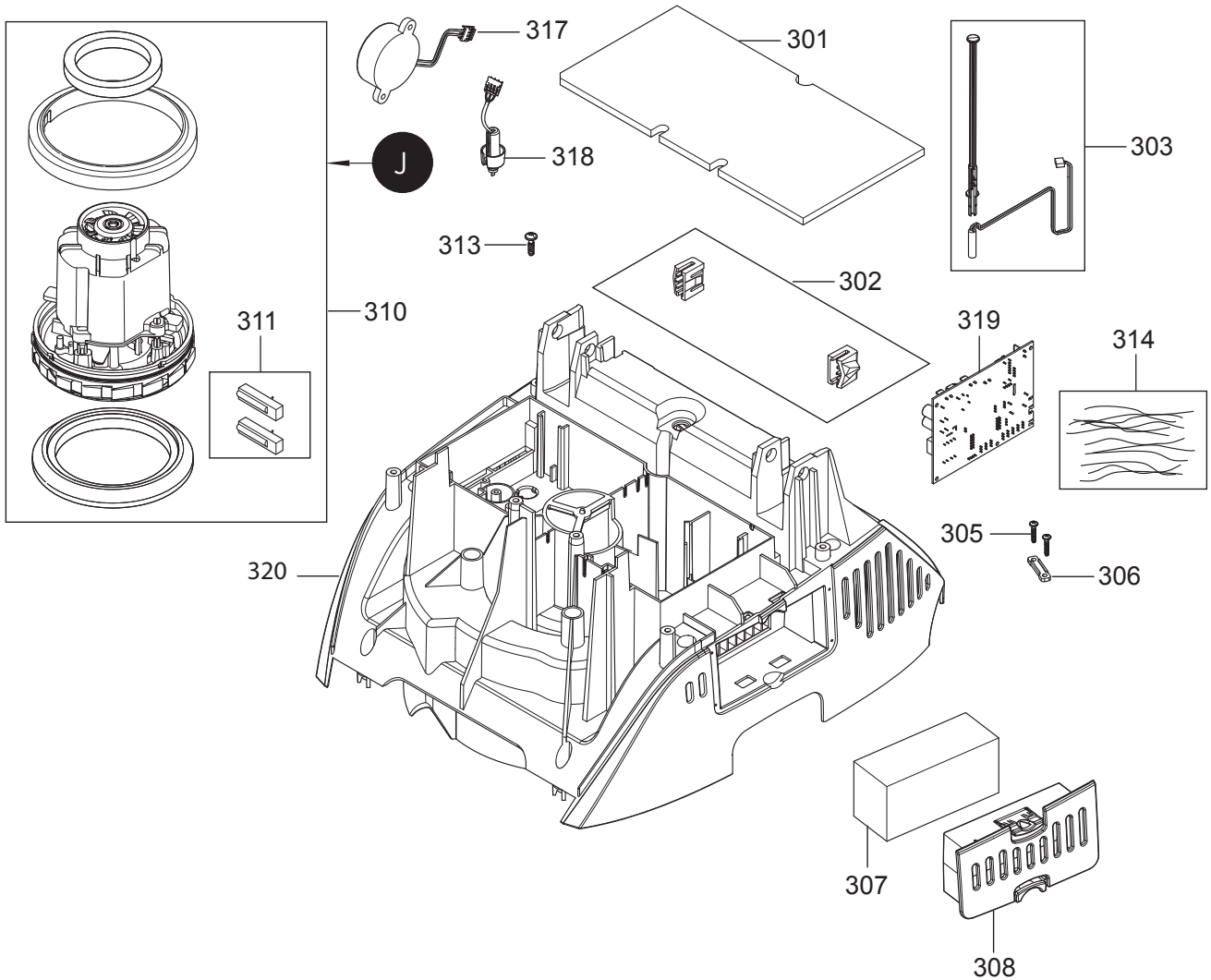
| Mirka code | Item | Description | Kit | Qty |
|------------|------|--------------------------|-----|-----|
| 8999120811 | 208 | Flap lever kit PC | H | 1 |
| 8999120911 | | Hatch door frame kit PC | I | |
| | 202 | Screw 5 x 18 mm | | 7 |
| | 206 | Hatch door filter gasket | | 1 |
| | 209 | Hatch door frame PC | | 1 |

Parts list – spare parts

| Mirka code | Item | Description | Kit | Qty |
|------------|------|--------------------------|-----|-----|
| | 202 | Screw 5 x 18 mm | I | 7 |
| | 206 | Hatch door filter gasket | I | 1 |
| 8999100411 | 207 | Filter | | 1 |
| | 208 | Flap-lever PC | H | 1 |
| | 209 | Hatch door frame PC | I | 1 |

Exploded view of Dust Extractor 1230 M • PC • 110V

Updated 10.02.2025



Parts list – kits

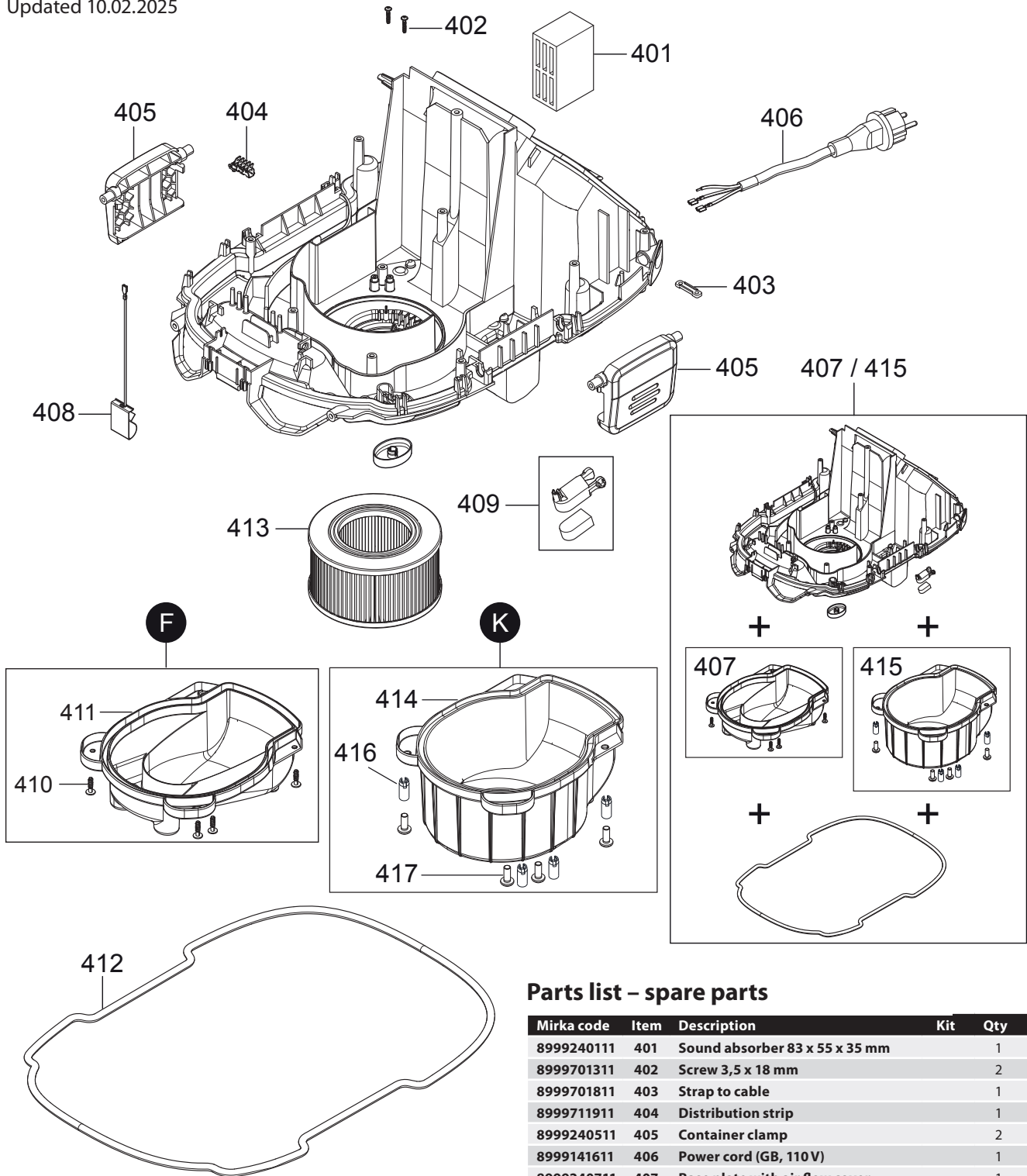
| Mirka code | Item | Description | Kit | Qty |
|------------|------|----------------------------|-----|-----|
| 8999231011 | | Motor assembly 110V | J | |
| | 310 | Motor assembly 110V | | 1 |
| | 311 | Carbon brush | | 2 |

Parts list – spare parts

| Mirka code | Item | Description | Kit | Qty |
|------------|------|--------------------------------|-----|------|
| 8999230111 | 301 | Foam sealing 298 x 148 mm | | 1 |
| 8999230211 | 302 | Hatch door hinge snap 2/pack | | 2 |
| 8999230311 | 303 | Reed sensor with applicator | | 1 |
| 8999701311 | 305 | Screw 3,5 x 18 mm | | 2 |
| 8999701811 | 306 | Strap to cable | | 1 |
| 8999110111 | 307 | Motor cooling filter | | 1 |
| 8999110211 | 307 | Motor cooling filter PET | | OPT. |
| 8999230811 | 308 | Cover for motor cooling filter | | 1 |
| | 310 | Motor assembly 110V | J | 1 |
| 8999231111 | 311 | Carbon brush set 110V 2/pack | J | 2 |
| 8999701411 | 313 | Screw 5 x 18 mm | | 9 |
| 8999231411 | 314 | Wire / Capacitor kit | | 6 |
| 8999231711 | 317 | Buzzer M | | 1 |
| 8999231811 | 318 | Flow sensor M | | 1 |
| 8999131911 | 319 | Electronic board 110-120V PC | | 1 |
| 8999232011 | 320 | Air guide M | | 1 |

Exploded view of Dust Extractor 1230 M • PC • 110V

Updated 10.02.2025



Parts list – kits

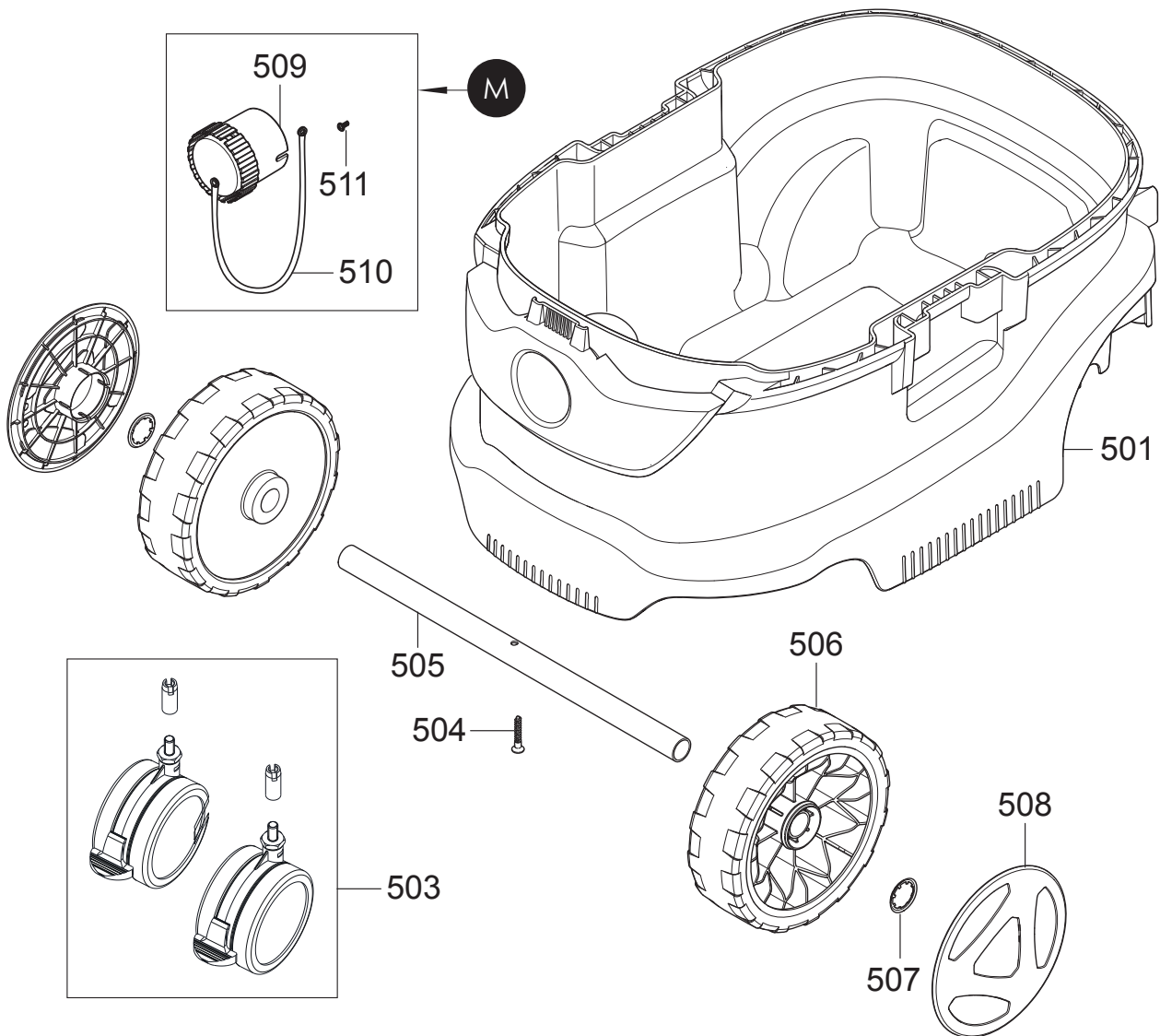
| Mirka code | Item | Description | Kit | Qty |
|-------------------|------|----------------------------------|-----|------|
| 8999241111 | | Air flow cover kit | F | |
| | 410 | Screw 5 x 18 mm, stainless steel | | 4 |
| | 411 | Air flow cover, black | | 1 |
| 8999100811 | | Hepa filter cover kit | K | OPT. |
| | 414 | Hepa filter cover | | 1 |
| | 416 | Screw insert | | 4 |
| | 417 | Screw 5 x 12 mm | | 4 |

Parts list – spare parts

| Mirka code | Item | Description | Kit | Qty |
|------------|------|-----------------------------------|-----|------|
| 8999240111 | 401 | Sound absorber 83 x 55 x 35 mm | | 1 |
| 8999701311 | 402 | Screw 3,5 x 18 mm | | 2 |
| 8999701811 | 403 | Strap to cable | | 1 |
| 8999711911 | 404 | Distribution strip | | 1 |
| 8999240511 | 405 | Container clamp | | 2 |
| 8999141611 | 406 | Power cord (GB, 110V) | | 1 |
| 8999240711 | 407 | Base plate with air flow cover | | 1 |
| 8999240811 | 408 | Contact spring with wire | | 1 |
| 8999240911 | 409 | Floater with magnet | | 1 |
| 8999241011 | 410 | Screw 5 x 18 mm, stainless steel | F | 4 |
| | 411 | Air flow cover, black | F | 1 |
| 8999241211 | 412 | Container sealing | | 1 |
| 8999100711 | 413 | Hepa filter | | OPT. |
| | 414 | Hepa filter cover | K | OPT. |
| 8999141511 | 415 | Base plate with hepa filter cover | | OPT. |
| | 416 | Screw insert | K | OPT. |
| | 417 | Screw 5 x 12 mm | K | OPT. |

Exploded view of Dust Extractor 1230 M • PC • 110V

Updated 10.02.2025



Parts list – kits

| Mirka code | Item | Description | Kit | Qty |
|-------------------|------|---------------------------|----------|-----|
| 8999754911 | | Container plug kit | M | |
| | 509 | Hose inlet plug 50 mm | | 1 |
| | 510 | Rubber strap | | 1 |
| | 511 | Screw 3,5 x 8 mm | | 1 |

Parts list – spare parts

| Mirka code | Item | Description | Kit | Qty |
|-------------------|------------|---------------------------------------|-----|----------|
| 8999250111 | 501 | Container 30L | | 1 |
| 8999250311 | 503 | Wheel 90 mm with brake, 2/pack | | 2 |
| 8999250411 | 504 | Screw 5 x 35 mm | | 1 |
| 8999703611 | 505 | Wheel axle | | 1 |
| 8999150611 | 506 | Rear wheel 175 mm | | 2 |
| 8999703911 | 507 | Clamping ring to wheel axle | | 2 |
| 8999250811 | 508 | Wheel cap | | 2 |
| | 509 | Hose inlet plug 50 mm | M | 1 |
| | 510 | Rubber strap | M | 1 |
| | 511 | Screw 3,5 x 8 mm | M | 1 |