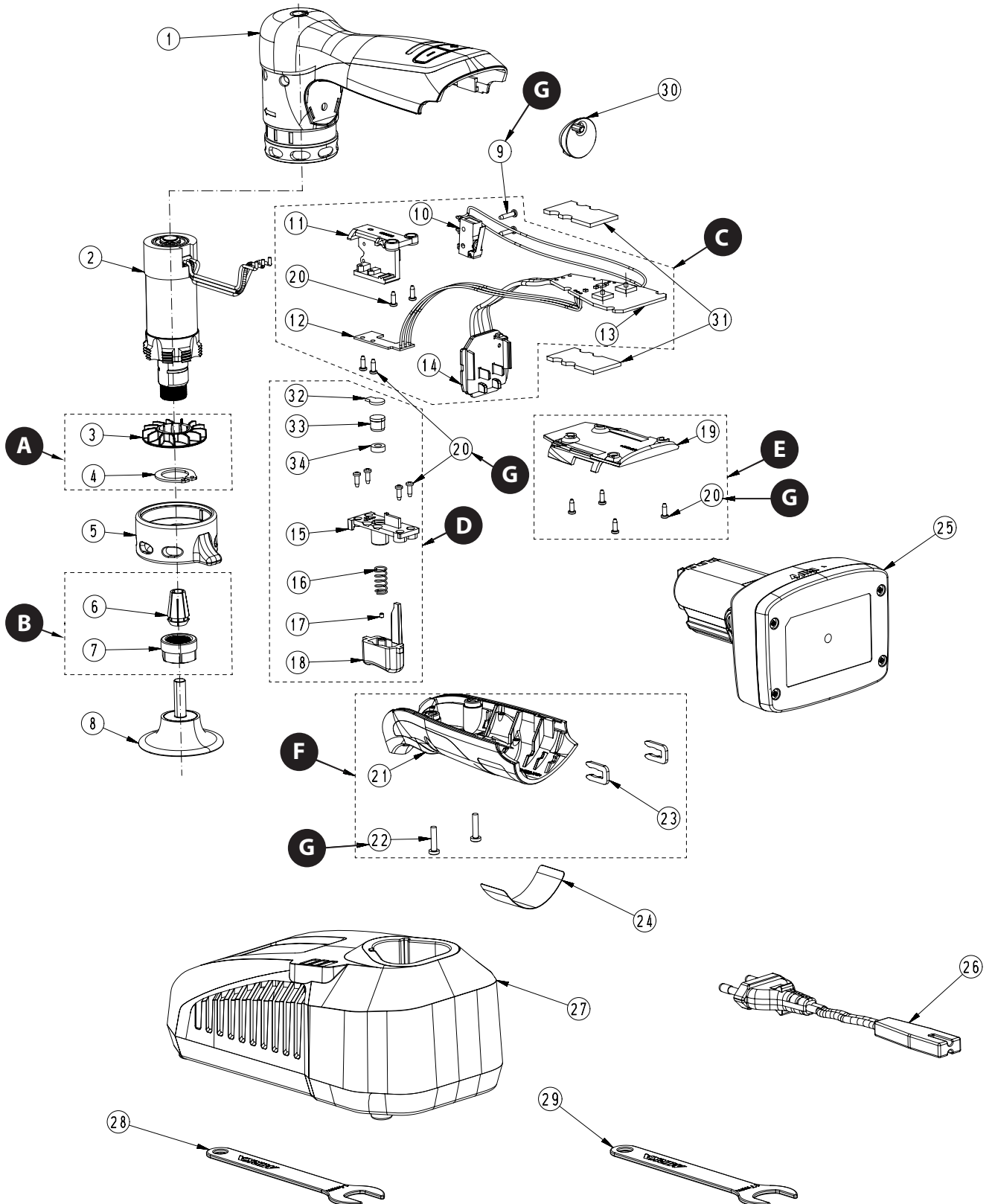


Exploded view of ANGOS ARG-B 200 55 mm

Updated 21.01.2025



ANGOS ARG-B 200 55 mm Spare Part kits

Electrical tool must be serviced by a qualified repair person and in accordance with national requirements.

Note! Repairs done by non-authorized repairer will breach the Mirka warranty.

Mirka Code	Item	Description	Kit	QTY	Tightening Torque
8991220311		Fan kit			
	3	Fan	A	1	
	4	Retaining Ring		1	
8991220611		Collet 6 mm, 1/4 inch kit			
	6	Collet 6 mm, 1/4 inch	B	1	
	7	Nut		1	
8991021411		Speed Controller kit			
	9	Screw 2,2 x 10 mm		2	0,3 Nm/0,2 ft-lb
	10	Switch		1	
	11	Holder	C	1	
	12	PCB Switch		1	
	13	Speed Controller		1	
	14	Battery Terminal		1	
	20	Screw 2,2 x 6,5 mm		4	0,4 Nm/0,3 ft-lb
MBB1121611		Trigger Button (Variable) kit			
	15	Trigger Button Cover		1	
	16	Trigger Spring		1	
	17	Magnet		1	
	18	Trigger Button	D	1	
	20	Screw 2,2 x 6,5 mm		4	0,4 Nm/0,3 ft-lb
	32	Washer		1	
33	Plastic Sleeve		1		
	34	Washer		1	
8991022111		PCB Cover kit			
	19	PCB Cover	E	1	
	20	Screw 2,2 x 6,5 mm		4	0,4 Nm/0,3 ft-lb
8991124011		Cover kit			
	21	Cover	F	1	
	22	Screw 3 x 12 mm		2	
	23	Assembly Clamp		2	
8991020111		Screw kit			
	9	Screw 2,2 x 10 mm	G	2	0,3 Nm/0,2 ft-lb
	20	Screw 2,2 x 6,5 mm		12	0,4 Nm/0,3 ft-lb
	22	Screw 3 x 12 mm		2	0,7 Nm/0,5 ft-lb

Separate spare parts on next page.

ANGOS ARG-B 200 55 mm Spare Parts

Mirka Code	Item	Description	Kit	QTY	Tightening Torque
8991210111	1	Housing		1	
8991210211	2	Motor		1	
	3	Fan	A	1	
	4	Retaining Ring	A	1	
8991210511	5	Fan Cover		1	
	6	Collet 6 mm, 1/4 inch	B	1	
	7	Nut	B	1	
8095060211	8	Quick Disc Holder 50 mm, 6x20 mm shaft, 5 pcs/pack		1	
	9	Screw 2,2 x 10 mm	C,G	2	0,3 Nm/0,2 ft-lb
	10	Switch	C	1	
	11	Holder	C	1	
	12	PCB Switch	C	1	
	13	Speed Controller	C	1	
	14	Battery Terminal	C	1	
	15	Trigger Button Cover	D	1	
	16	Trigger Spring	D	1	
	17	Magnet	D	1	
	18	Trigger Button	D	1	
	19	PCB Cover	E	1	
	20	Screw 2,2 x 6,5 mm	C,D,E,G	12	0,4 Nm/0,3 ft-lb
	21	Cover	F	1	
	22	Screw 3 x 12 mm	F,G	2	0,7 Nm/0,5 ft-lb
8991012711	23	Assembly Clamp	F	2	
8991212411	24	Type Label (EU)		1	
8991022911US	24	Type Label (US/CA)		1	
8991122211	25	Mirka Intelligent Battery BPA 11125 11.1V 2.5Ah		1	
8991122311	25	Mirka Intelligent Battery BPA 11150 11.1V 5.0Ah		1	
8991112211	26	Power Cord 2.0 m EU		1	
8991112311	26	Power Cord 2.0 m US		1	
8991112411	26	Power Cord 2.0 m UK		1	
8991112611	26	Power Cord 2.0 m CN		1	
8991112711	26	Power Cord 2.0 m ANZ		1	
8991123011	27	Battery Charger		1	
8991123011US	27	Battery Charger US		1	
8993008014	28	Pad Wrench 14mm		1	
8993008013	29	Pad Wrench 17mm		1	
8991213011	30	Dust Cap		1	
8991213111	31	Cooling Film		2	
	32	Washer	D	1	
	33	Plastic Sleeve	D	1	
	34	Washer	D	1	