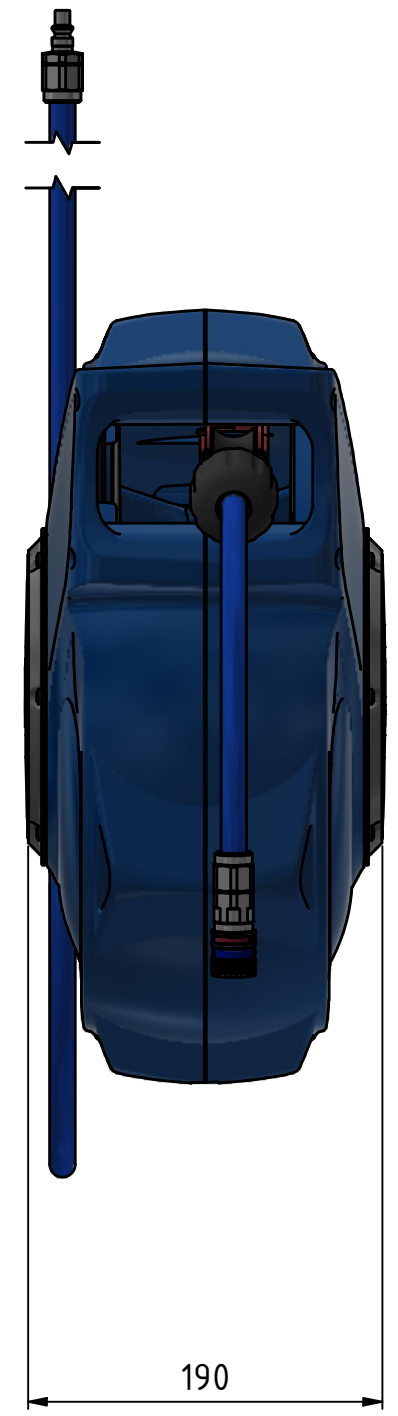
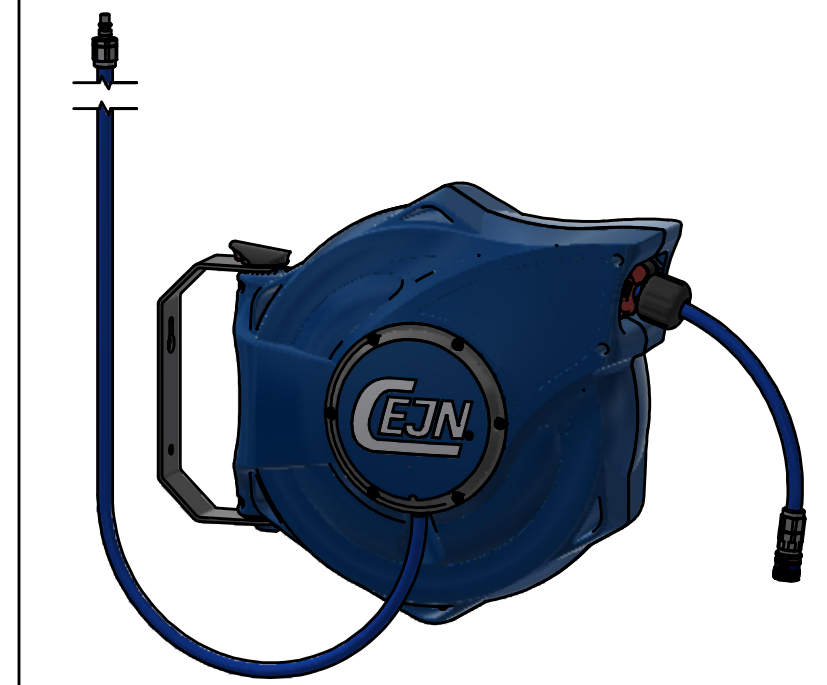
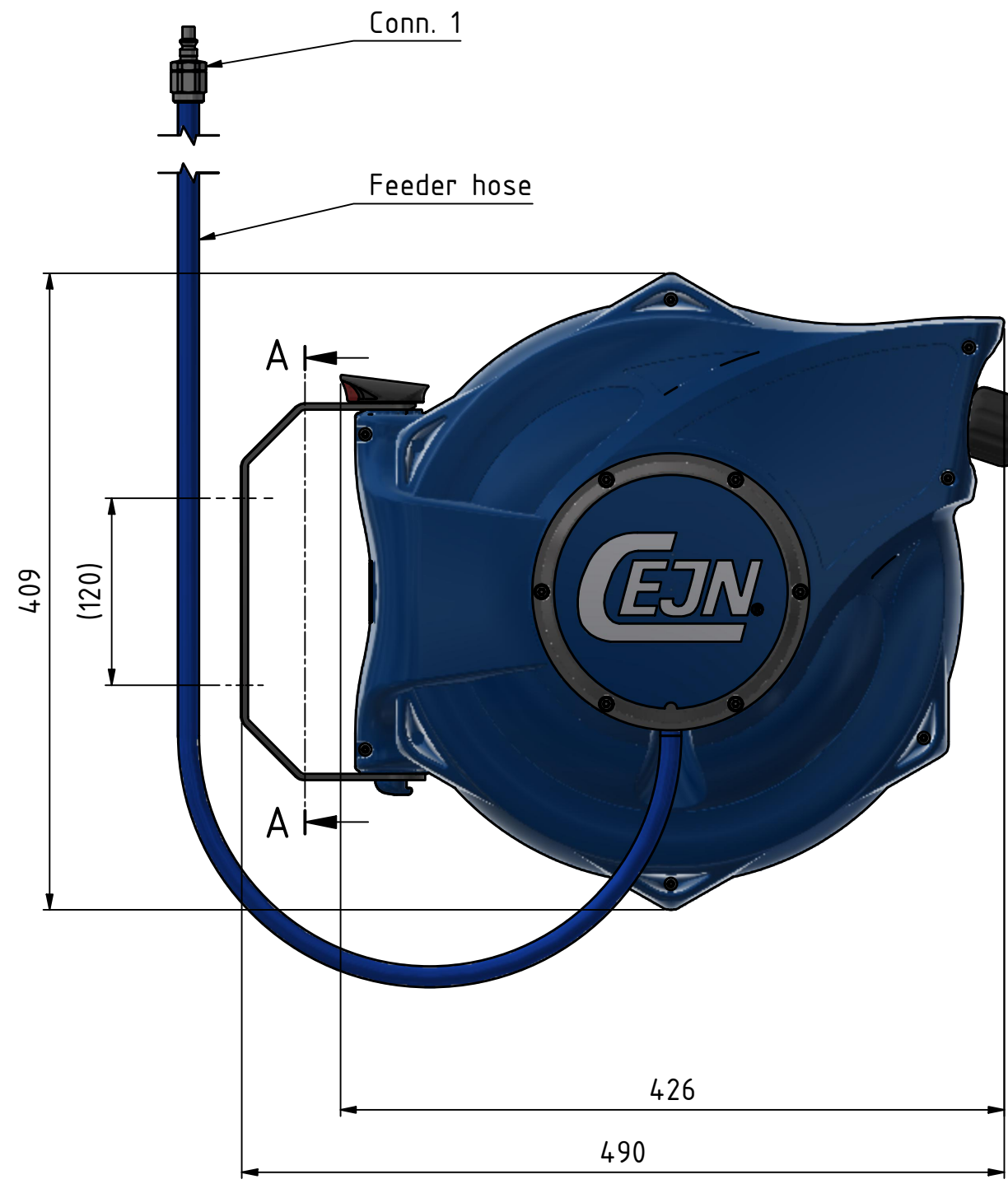


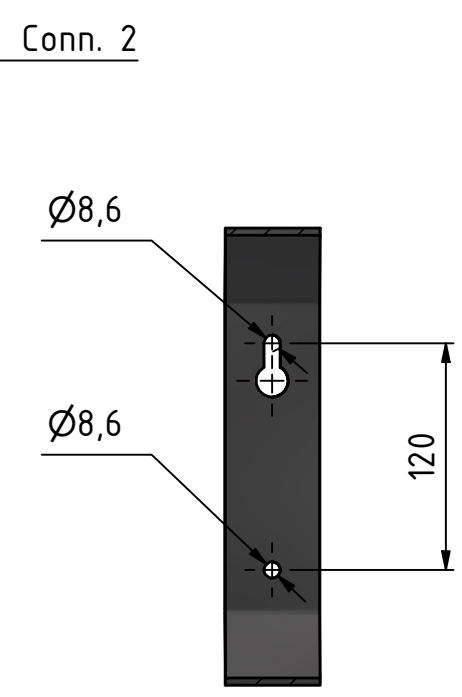
This document must not be copied, either completely or in part, without permission. Any infringement will have legal consequences ©



190



1 : 7



A-A

Product No.	199112160 - Medium Reel Air
Hose dim. (ID x OD):	9,5x13,5 mm
Hose length:	14 m
Feeder hose length:	1,5 m
Hose material:	Braided PUR (ester based)
Temperature range:	-20°C - +60°C
Connection 1:	300-nipple
Connection 2:	eSafe 300
Sealing material:	NBR
Max WP Connected:	16 bar
Weight:	6,4 kg



Scale	1 : 4	Drawn	CABLHE	Checked	ANLA	Appr.	JOOL	ECO	001594	Date	2023-05-28
Drawing No.							509112160		Issue	Sheet	
									AC	1 / (1)	

