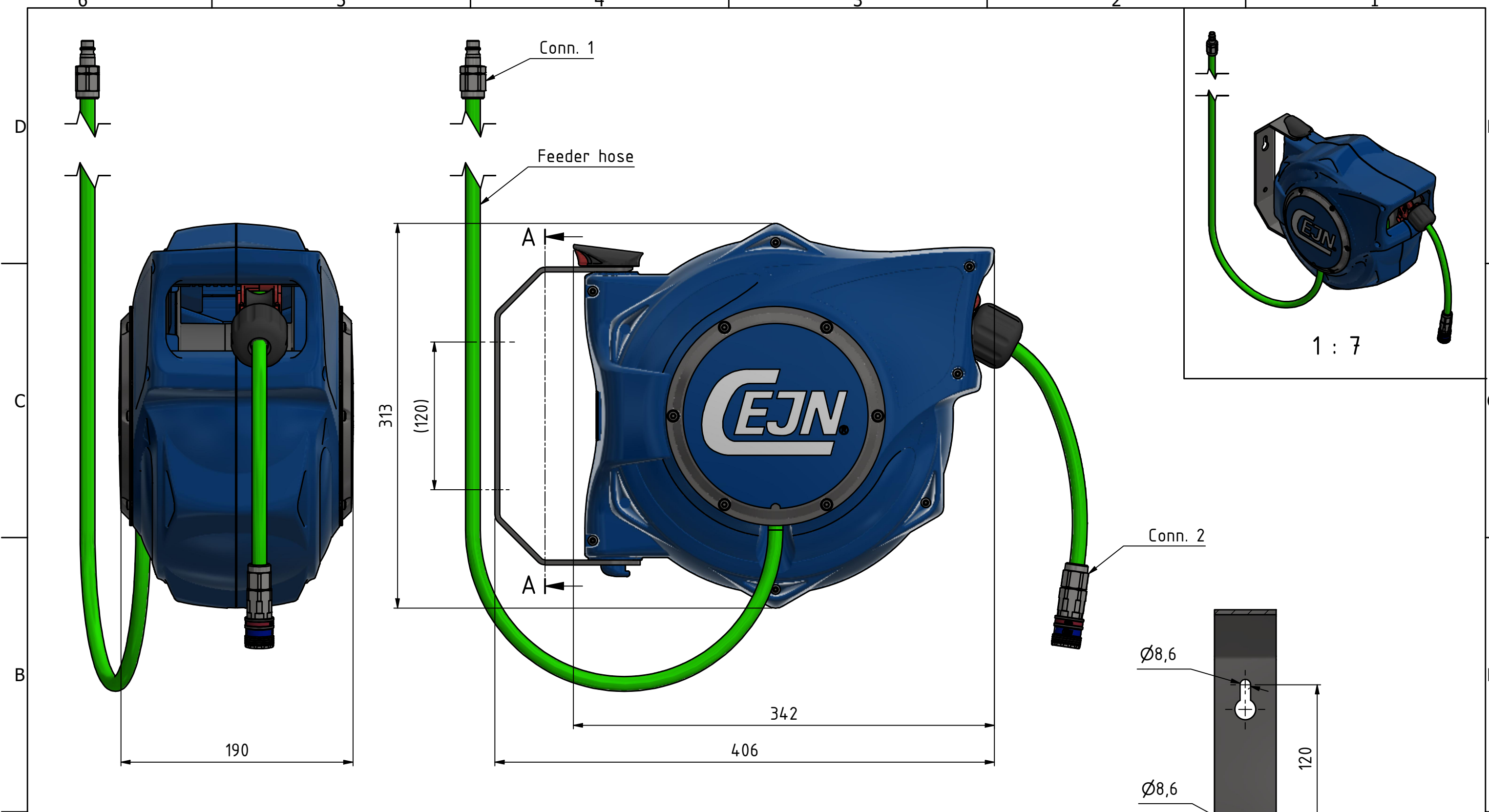


This document must not be copied, either completely or in part, without permission. Any infringement will have legal consequences ©



Product No.	199112088 - Small Reel Hi-vis
Hose dim. (ID x OD):	8x12 mm
Hose length:	10 m
Feeder hose length:	1,5 m
Hose material:	Braided PUR (ester based)
Temperature range:	-20°C - +60°C
Connection 1:	320-nipple
Connection 2:	eSafe 320
Sealing material:	NBR
Max WP Connected:	16 bar
Weight:	4,9 kg

	Scale	1 : 3	Drawn	CABLHE	Checked	ANLA	Appr.	JOOL	ECO	001594	Date	2023-05-01
	Drawing No. 509112088							Issue	AD	Sheet	1 / (1)	

A3