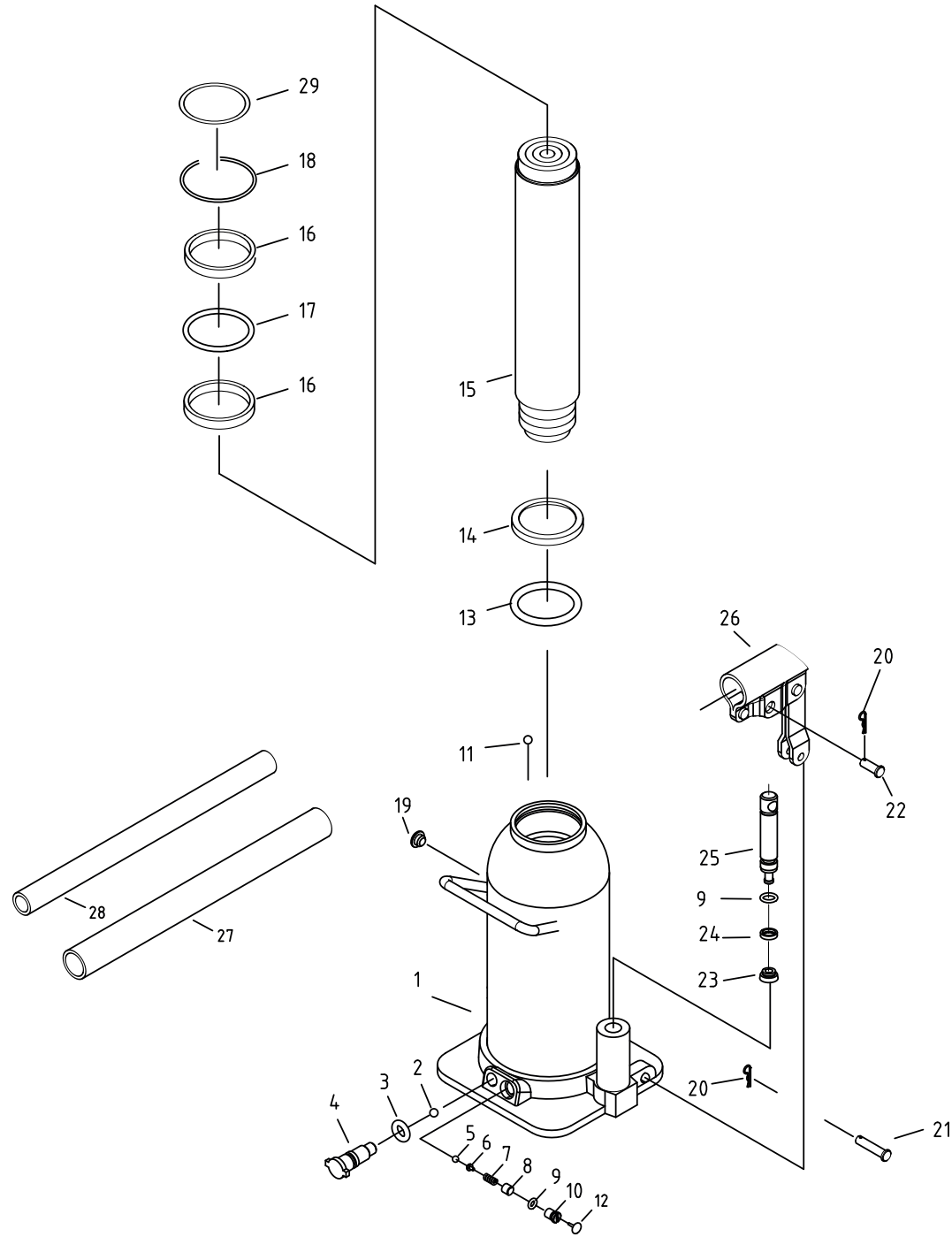


Art. 160.1125



Art. 160.1125

Part. No	Art.-Nr.	Beschreibung	Description	Menge Qty.
1	160.1125-R001P	Grundgestell	Base	1
2	160.1125-R002P	Stahlkugel	Steel ball	1
3	160.1125-R003P	O-Ring	O-ring	1
4	160.1125-R004P	Ablassventil	Drain valve stem	1
5	160.1125-R005P	Stahlkugel	Steel ball	1
6	160.1125-R006P	Ventilsitz	Steel ball valve seat	1
7	160.1125-R007P	Feder	Spring	1
8	160.1125-R008P	Schraube	Screw	1
9	160.1125-R009P	O-Ring	O-ring	2
10	160.1125-R010P	Schraube	Screw	1
11	160.1125-R011P	Stahlkugel	Steel ball	1
12	160.1125-R012P	Abdeckung	Cap	1
13	160.1125-R013P	O-Ring	O-ring	1
14	160.1125-R014P	Unterlegscheibe	Washer	1
15	160.1125-R015P	Hubkolben	Piston rod	1

Part. No	Art.-Nr.	Beschreibung	Description	Menge Qty.
16	160.1125-R016P	Sicherungsring	Gasket ring	2
17	160.1125-R017P	O-Ring	O-ring	1
18	160.1125-R018P	Sicherungsring	Gasket ring	1
19	160.1125-R019P	Öl Einfüllschraube	Oil plug	1
20	160.1125-R020P	Bolzen	Pin	2
21	160.1125-R021P	Bolzen	Pin	1
22	160.1125-R022P	Bolzen	Axle B	1
23	160.1125-R023P	Y-Ring	Y-ring	1
24	160.1125-R024P	Nylonring	Nylon gasket ring	1
25	160.1125-R025P	Pumpkolben	Pump core	1
26	160.1125-R026P	Lenkstangenaufnahme	Handle socket	1
27	160.1125-R027P	Betätigungsstange 2	Upper handel	1
28	160.1125-R028P	Betätigungsstange 1	Lower handle	1
29	160.1125-R029P	Kolbenentanschlag	Piston rod stop plate	1