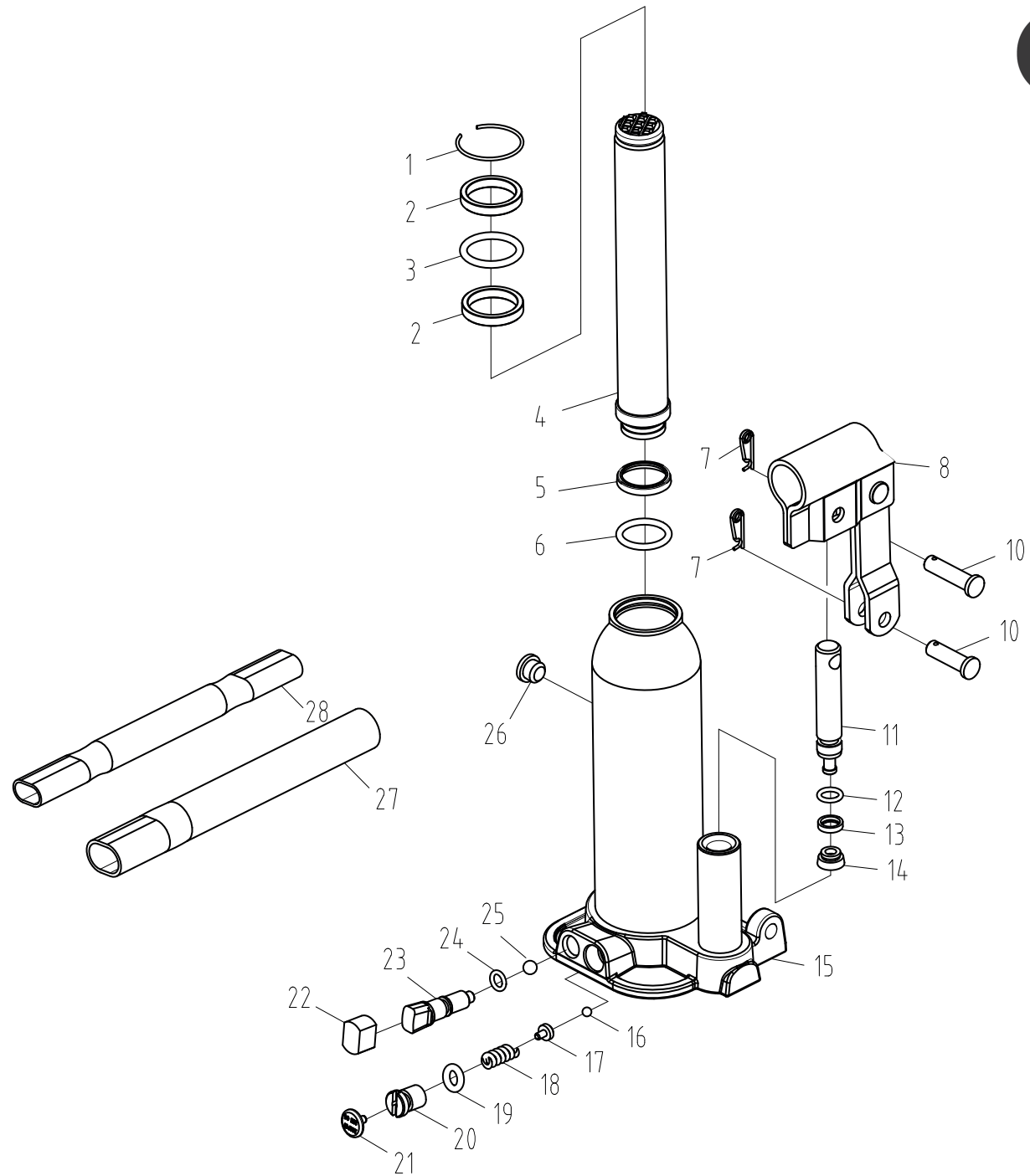


Art. 160.1105

KS TOOLS®



Art. 160.1105

Part. No	Art.-Nr.	Beschreibung	Description	Menge Qty.
1	160.1105-R001P	Sicherungsring	Gasket ring	1
2	160.1105-R002P	Sicherungsring	Baffle ring	2
3	160.1105-R003P	O-Ring	O-ring	1
4	160.1105-R004P	Hubkolben	Piston rod	1
5	160.1105-R005P	Unterlegscheibe	Washer	1
6	160.1105-R006P	O-Ring	O-ring	1
7	160.1105-R007P	Bolzen	Pin	2
8	160.1105-R008P	Lenkstangenaufnahme	Handle socket	1
10	160.1105-R009P	Bolzen	Pin	2
11	160.1105-R010P	Pumpkolben	Pump core	1
12	160.1105-R011P	O-Ring	O-ring	1
13	160.1105-R012P	Nylonring	Nylon gasket ring	1
14	160.1105-R013P	Y-Ring	Y-ring	1
15	160.1105-R014P	Grundgestell	Base	1

Part. No	Art.-Nr.	Beschreibung	Description	Menge Qty.
16	160.1105-R015P	Stahlkugel	Steel ball	1
17	160.1105-R016P	Ventilsitz	Steel ball valvt seat	1
18	160.1105-R017P	Feder	Spring	1
19	160.1105-R018P	O-Ring	O-ring	1
20	160.1105-R019P	Schraube	Screw	1
21	160.1105-R020P	Abdeckung	Cap	1
22	160.1105-R021P	Ventilschutzhülse	Oil return valve stem protective sleeve	1
23	160.1105-R022P	Ablassventil	Drain valve stem	1
24	160.1105-R023P	O-Ring	O-ring	1
25	160.1105-R024P	Stahlkugel	Steel ball	1
26	160.1105-R025P	Öl Einfüllschraube	Oil plug	1
27	160.1105-R026P	Betätigungsstange 2	Handle A	1
28	160.1105-R027P	Betätigungsstange 1	Handle B	1