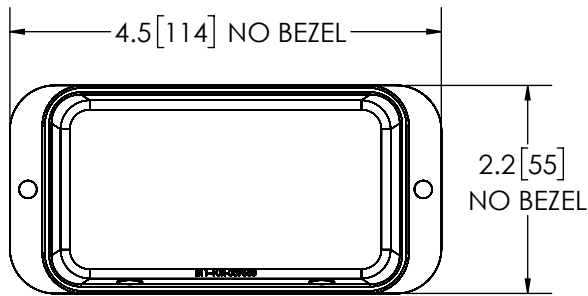
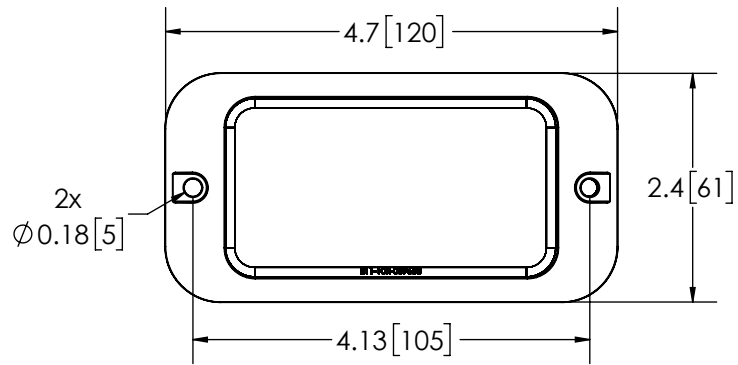
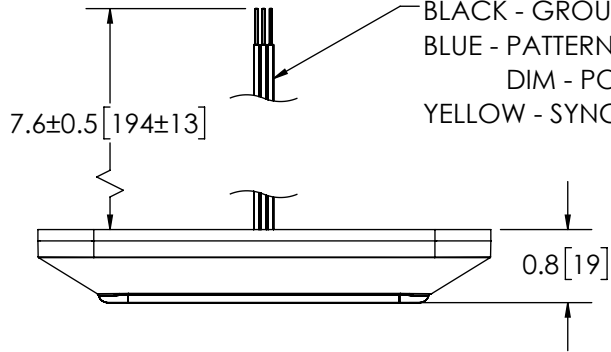


5-22 AWG WIRES  
 RED - PATTERN 1 - POSITIVE (+)  
 WHITE - PATTERN 2 - POSITIVE (+)  
 BLACK - GROUND (-)  
 BLUE - PATTERN SELECT - MOMENTARY TO GROUND (-)/  
 DIM - POWER (+)  
 YELLOW - SYNC



REVISION HISTORY		
REV.	DESCRIPTION	DATE
01	PRELIMINARY RELEASE PER C14031	2018-11-13
02	REVISED PER C14031	2019-02-01
A	INITIAL RELEASE PER C14031	2019-02-18

## SPECIFICATIONS

- CERTIFICATIONS: ECE R10; SAE J595 CLASS 1CA Title 13 ; IP67

Note: Unique components, accessories, and hardware kits are not typically included in the Product Certification Test Protocols. Unless otherwise Specified, the Product Certifications referred to herein are predicated upon the base product model configuration.

- FLASH MODE: SINGLE : 75 ± 5 FLASHES PER MINUTE  
 QUINT : 150 ± 5 FLASHES PER MINUTE  
 SINGLE : 120 ± 5 FLASHES PER MINUTE
- VOLTAGE (NOMINAL): 12-24 VDC
- VOLTAGE (EXTREME): 9-32 VDC
- CURRENT (PEAK): SEE CHART
- POWER (MAXIMUM): SEE CHART
- TEMPERATURE RANGE: -40°F (-40°C) TO 149°F (65°C)
- CONNECTION: 5 - 22 AWG WIRES
- MOUNTING: 2 BOLT
- BASE MATERIAL: POLYCARBONATE
- LENS MATERIAL: POLYCARBONATE
- PRODUCT WEIGHT: 0.244 LBS (0.11 Kg)

## FG PRODUCT CHART

FG P/N	COLOR	CURRENT (PEAK) @ 12VDC NOMINAL	POWER (MAX) @ 12VDC NOMINAL	SAE J595	CA TITLE 13
ED3789AC	AMB/WHT	1.23 A	15.7 W	CLASS 1	CLASS B (AMB ONLY)
ED3789BA	BLU/AMB	1.23 A	15.7 W	CLASS 1	CLASS B
ED3789BC	BLU/WHT	1.20 A	15.4 W	CLASS 1	CLASS B (BLU ONLY)
ED3789RA	RED/AMB	1.23 A	15.7 W	CLASS 1	CLASS B
ED3789RB	RED/BLU	1.16 A	14.8 W	CLASS 1	CLASS B
ED3789RC	RED/WHT	1.20 A	15.4 W	CLASS 1	CLASS B (RED ONLY)

- NOTES:  
 1. ROHS COMPLIANT  
 2. DIMENSIONS IN INCHES[MILLIMETERS (FOR REFERENCE)]

PROPRIETARY AND CONFIDENTIAL INFORMATION

THIS DRAWING AND THE DESIGN AND OTHER INFORMATION DISCLOSED HEREIN ARE THE PROPERTY OF ELECTRONIC CONTROLS COMPANY AND/OR ITS ECCO SAFETY GROUP AFFILIATES ("ECCO") AND IS ISSUED IN CONFIDENCE TO RECIPIENT FOR ENGINEERING INFORMATION PURPOSES ONLY. THIS DRAWING AND THE DESIGN AND OTHER INFORMATION DISCLOSED HEREIN MAY NOT BE USED, COPIED, REPRODUCED OR OTHERWISE DISCLOSED IN PART OR IN WHOLE TO THIRD PARTIES OR USED FOR ANY OTHER PURPOSE WITHOUT PRIOR ECCO WRITTEN CONSENT. ECCO RESERVES ALL PATENT, COPYRIGHT, TRADEMARK AND OTHER PROPRIETARY RIGHTS TO THIS DOCUMENT, INCLUDING ALL DESIGN, MANUFACTURING, REPRODUCTION, USE AND SALES RIGHTS THERETO. THIS DRAWING IS SUBJECT TO RECALL BY ECCO AT ANY TIME, AND YOUR POSSESSION AND/OR USE CONSTITUTES ACCEPTANCE OF THESE TERMS. ©2018 ELECTRONIC CONTROLS COMPANY

SCALE 1:2		APPROVALS	DATE
CAD GENERATED DRAWING DO NOT MANUALLY UPDATE. MODEL REFERENCED: A		DRAWN BY BTK	2019-02-01
TOLERANCES ARE IN INCHES, AND MILLIMETERS TOLERANCES UNLESS OTHERWISE STATED ARE:		CHECKED ART	2019-02-01
MILLIMETERS DECIMALS XX. ± 1.0mm XX.X ± 0.5mm	INCHES DECIMALS X.X ± 0.1 X.XX ± 0.04 X.XXX ± 0.02	MECH. ENG. JLA	2019-02-01
	ANGLES ± 0.5° FRACTIONS ± 1/64	ELEC. ENG. JES	2019-02-05
		TEST ENG. JRT	2019-02-14
		SALES. MD	2019-02-13
THIRD ANGLE PROJECTION			

**ECCO**® www.eccolink.com  
 Americas (800) 635-5900 | Europe +44 (0)113 237 5340 | Asia Pacific +61 (0)3 63322444

**16 LED, DBL STACK, SURF MNT, DUAL, 12-24V**

CUSTOMER PART NO. **SEE CHART** PRODUCT SERIES:

SIZE: A DWG. NO. **ED3789XX** REV. A

Electronically Controlled Use Latest Copy SHEET 1 OF 1 Project: C14031 Date Created: 2018-11-13