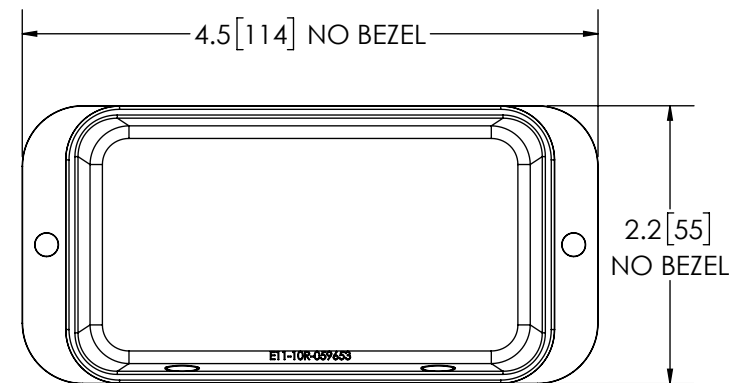
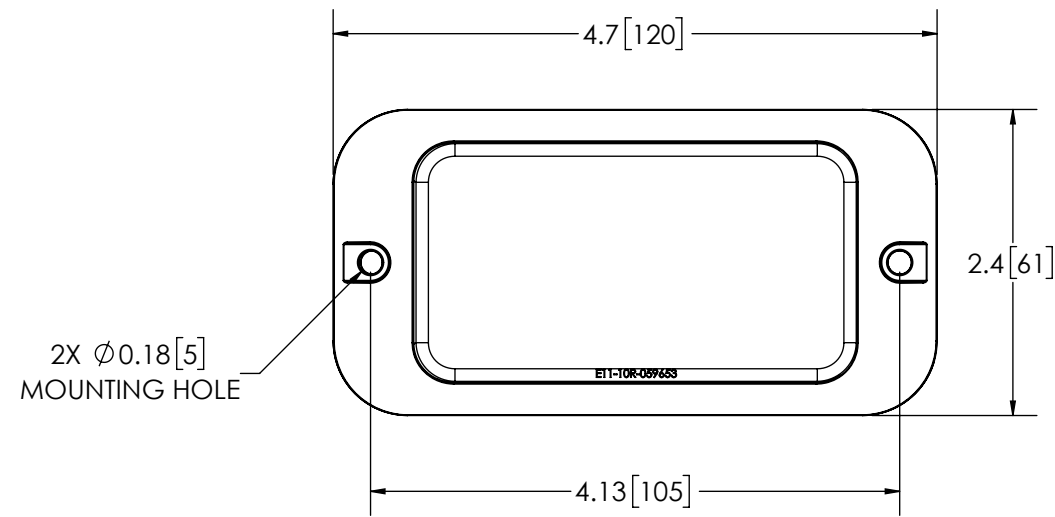
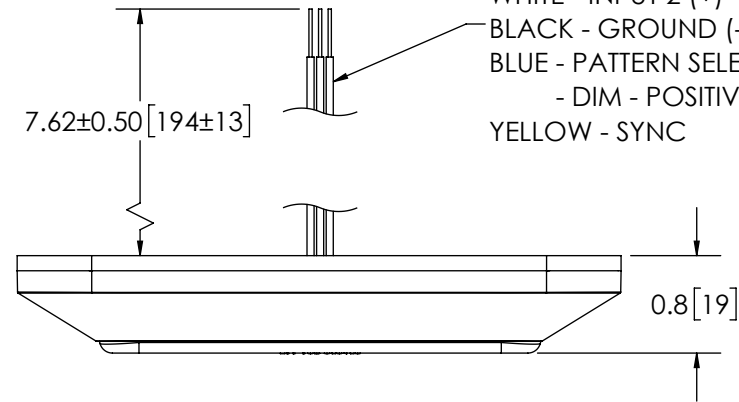


REVISION HISTORY		
REV.	DESCRIPTION	DATE
02	REVISED PER C14031	2019-02-20
03	REVISED PER C14031	2019-02-25
A	INITIAL RELEASE PER C14031	2019-03-14

5-22 AWG WIRES  
 RED - INPUT 1 (+)  
 WHITE - INPUT 2 (+)  
 BLACK - GROUND (-)  
 BLUE - PATTERN SELECT - MOMENTARY TO GROUND (-)  
 - DIM - POSITIVE (+)  
 YELLOW - SYNC



### SPECIFICATIONS


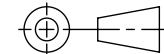
- CERTIFICATIONS: IP67; REG10; SEE CHART FOR SAE J595, AND CA TITLE 13  
 Note: Unique components, accessories, and hardware kits are not typically included in the Product Certification Test Protocols. Unless otherwise Specified, the Product Certifications referred to herein are predicated upon the base product model configuration.
- FLASH MODE: SINGLE : 75 ± 5 FLASHES PER MINUTE  
 QUINT : 150 ± 5 FLASHES PER MINUTE  
 SINGLE : 120 ± 5 FLASHES PER MINUTE
- VOLTAGE (NOMINAL): 12-24 VDC
- VOLTAGE (EXTREME): 9-32 VDC
- CURRENT (PEAK): SEE CHART
- POWER (MAXIMUM): SEE CHART
- TEMPERATURE RANGE: -40°F (-40°C) TO 149°F (65°C)
- CONNECTION: 5 - 22 AWG WIRES
- MOUNTING: 2 BOLT
- BASE MATERIAL: POLYCARBONATE
- LENS MATERIAL: POLYCARBONATE
- PRODUCT WEIGHT: 0.244 LBS (0.11 Kg)

FG PRODUCT CHART					
FGS. NO.	COLOR	CURRENT (PEAK) @ 12VDC NOMINAL	POWER (MAX) @ 12VDC NOMINAL	SAE J595	CA TITLE 13
ED3788A	AMB	1.16 A	14.6 W	CLASS 1	CLASS B
ED3788B	BLU	1.18 A	15.1 W	CLASS 1	CLASS B
ED3788C	WHT	1.16 A	14.8 W	CLASS 1	--
ED3788R	RED	0.92 A	11.0 W	CLASS 1	CLASS B

- NOTES:  
 1. ROHS COMPLIANT  
 2. DIMENSIONS IN INCHES[MILLIMETERS (FOR REFERENCE)]

PROPRIETARY AND CONFIDENTIAL INFORMATION

THIS DRAWING AND THE DESIGN AND OTHER INFORMATION DISCLOSED HEREIN ARE THE PROPERTY OF ELECTRONIC CONTROLS COMPANY AND/OR ITS ECCO SAFETY GROUP AFFILIATES ("ECCO") AND IS ISSUED IN CONFIDENCE TO RECIPIENT FOR ENGINEERING INFORMATION PURPOSES ONLY. THIS DRAWING AND THE DESIGN AND OTHER INFORMATION DISCLOSED HEREIN MAY NOT BE USED, COPIED, REPRODUCED OR OTHERWISE DISCLOSED IN PART OR IN WHOLE TO THIRD PARTIES OR USED FOR ANY OTHER PURPOSE WITHOUT PRIOR ECCO WRITTEN CONSENT. ECCO RESERVES ALL PATENT, COPYRIGHT, TRADEMARK AND OTHER PROPRIETARY RIGHTS TO THIS DOCUMENT, INCLUDING ALL DESIGN, MANUFACTURING, REPRODUCTION, USE AND SALES RIGHTS THEREIN. THIS DRAWING IS SUBJECT TO RECALL BY ECCO AT ANY TIME, AND YOUR POSSESSION AND/OR USE CONSTITUTES ACCEPTANCE OF THESE TERMS. ©2019 ELECTRONIC CONTROLS COMPANY

SCALE 2:3	APPROVALS	DATE	 <b>ECCO</b> www.eccolink.com Americas (800) 635-5900   Europe +44 (0)113 237 5340   Asia Pacific +61 (0)3 63322444															
CAD GENERATED DRAWING DO NOT MANUALLY UPDATE. MODEL REFERENCED: A	DRAWN BY ART	2019-02-25																
TOLERANCES ARE IN INCHES, AND MILLIMETERS TOLERANCES UNLESS OTHERWISE STATED ARE:	CHECKED BTK	2019-02-27																
<table border="1"> <tr> <th>MILLIMETERS DECIMALS</th> <th>MILLIMETERS FRACTIONS</th> <th>INCHES DECIMALS</th> <th>INCHES FRACTIONS</th> </tr> <tr> <td>XX. ± 1.0mm</td> <td>XX. ± 0.1</td> <td>X.X ± 0.1</td> <td>X.X ± 0.1</td> </tr> <tr> <td>XX.X ± 0.5mm</td> <td>XX.X ± 0.04</td> <td>X.XX ± 0.04</td> <td>X.XX ± 0.04</td> </tr> <tr> <td></td> <td></td> <td>X.XXX ± 0.02</td> <td>X.XXX ± 0.02</td> </tr> </table>	MILLIMETERS DECIMALS	MILLIMETERS FRACTIONS		INCHES DECIMALS	INCHES FRACTIONS	XX. ± 1.0mm	XX. ± 0.1	X.X ± 0.1	X.X ± 0.1	XX.X ± 0.5mm	XX.X ± 0.04	X.XX ± 0.04	X.XX ± 0.04			X.XXX ± 0.02	X.XXX ± 0.02	MECH. ENG. JLA
MILLIMETERS DECIMALS	MILLIMETERS FRACTIONS	INCHES DECIMALS	INCHES FRACTIONS															
XX. ± 1.0mm	XX. ± 0.1	X.X ± 0.1	X.X ± 0.1															
XX.X ± 0.5mm	XX.X ± 0.04	X.XX ± 0.04	X.XX ± 0.04															
		X.XXX ± 0.02	X.XXX ± 0.02															
	ELEC. ENG. JES	2019-02-26	<b>8 LED, DBL STACK, SURF MNT, 12-24V</b>															
	TEST ENG. JRT	2019-03-07	CUSTOMER PART NO. <b>SEE CHART</b>															
	SALES. MD	2019-02-26	PRODUCT SERIES: <b>ED3788</b>															
THIRD ANGLE PROJECTION			SIZE: B DWG. NO. <b>ED3788X</b>															
	Electronically Controlled Use Latest Copy	SHEET 1 OF 1	Project: C14031 Date Created: 2019-02-05															