



## Installation and Operation Instructions ED3777 Warning Light

ED3777 directional LEDs are bright and versatile 180 degree warning light, work light and puddle light combinations that are suited to a wide variety of applications. Their low profile, narrow shape and multiple mounting options (surface, edge, self-adhesive and permanent) and 30 degrees of adjustable pivoting, provide superior flexibility when positioning the lights for optimum warning capability. Both models offer multiple flash patterns and multiple units can be synchronized to operate either simultaneously or alternately with each other.

Available in solid colors: ED3777X (A,B,R,G,W)

dual colors: ED3777XX (AB, AG, AR, AW, BW, RW, RB)



### **WARNING!**

**Failure to install or use this product according to manufacturer's recommendations may result in property damage, serious injury, and/or death to those you are seeking to protect!**



**Do not install and/or operate this safety product unless you have read and understand the safety information contained in this manual.**

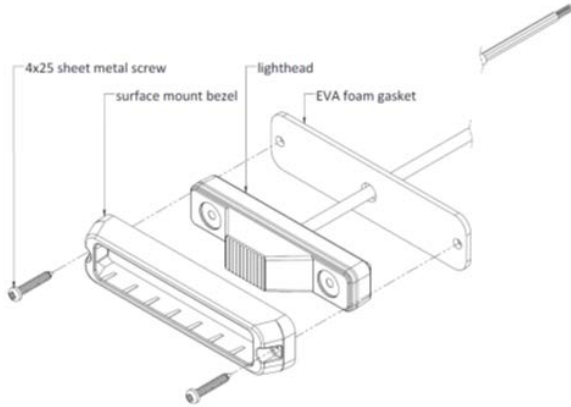
1. Proper installation combined with operator training in the use, care, and maintenance of emergency warning devices are essential to ensure the safety of you and those you are seeking to protect.
2. Exercise caution when working with live electrical connections.
3. This product must be properly grounded. Inadequate grounding and/or shorting of electrical connections can cause high current arcing, which can cause personal injury and/or severe vehicle damage, including fire.
4. Proper placement and installation are vital to the performance of this warning device. Install this product so that output performance of the system is maximized and the controls are placed within convenient reach of the operator so that s/he can operate the system without losing eye contact with the roadway.
5. Do not install this product or route any wires in the deployment area of an air bag. Equipment mounted or located in an air bag deployment area may reduce the effectiveness of the air bag or become a projectile that could cause serious personal injury or death. Refer to the vehicle owner's manual for the air bag deployment area. It is the responsibility of the user/operator to determine a suitable mounting location ensuring the safety of all passengers inside the vehicle particularly avoiding areas of potential head impact.
6. It is the responsibility of the vehicle operator to ensure during use that all features of this product work correctly. In use, the vehicle operator should ensure the projection of the warning signal is not blocked by vehicle components (i.e., open trunks or compartment doors), people, vehicles or other obstructions.
7. The use of this or any other warning device does not ensure all drivers can or will observe or react to a warning signal. Never take the right-of-way for granted. It is your responsibility to be sure you can proceed safely before entering an intersection, driving against traffic, responding at a high rate of speed, or walking on or around traffic lanes.
8. This equipment is intended for use by authorized personnel only. The user is responsible for understanding and obeying all laws regarding warning signal devices. Therefore, the user should check all applicable city, state, and federal laws and regulations. The manufacturer assumes no liability for any loss resulting from the use of this warning device.

**CONTENTS:**

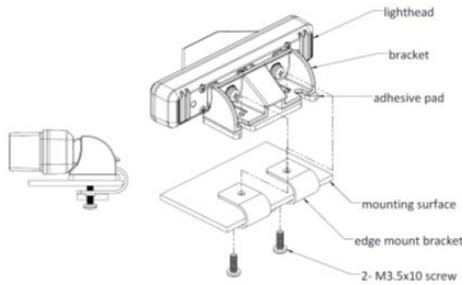
|   |   |
|---|---|
| 1 | Light Head  |
| 1 | Multi-Mount Base:<br>Includes-<br>2- M4x25 Sheet metal screws<br>2- Split washers<br>4- M3.5x10 screws<br>2- M3 washers |
| 1 | Adhesive Pad  |
| 1 | 1- EVA foam gasket  |
| 1 | Edge Mount Bracket  |
| 1 | Surface Mount Bezel   |

**Mounting:**

Surface Mount



Edge Mount



**Wire: ED3777**

- RED: Positive (need to add 2A Fuse)
- BLACK: Negative
- BLUE: Pattern Switch
- YELLOW: Synchronized Function  
(Up to 8 units can be Synchronized)
- ORANGE: Takedown Light Operation (need to add 2A Fuse)
- GREEN: Ground Light Operation (need to add 2A Fuse)

**Operation Environment:**

**Ambient Temperature:** -30 to 50°C

**PHASE OPERATION:**

- Phase 1 (Ph1) flashes simultaneously with Ph1
- Phase 2 (Ph2) flashed simultaneously with Ph2  
(Up to 8 units can be Synchronized)

**Apply BLUE TO BLACK wire:**

- Less than 1 sec. for next pattern
- Between 1-3 sec. for previous pattern
- Between 3-5 sec. for factory default pattern
- More than 5 sec. default to pattern #13 (ED3777) and pattern #12 (ED3777XX)

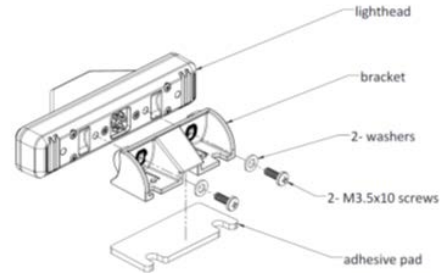
**SPECIFICATIONS:**

|               |  |
|---------------|--|
| Input Voltage | 12-24VDC   |
| Work Current  | ED3777 = 1.8A Max @ DC12V<br>ED3777XX = 3.6A Max @ DC12V |

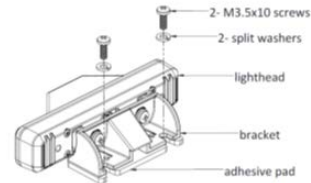
**Important!** This unit is a safety device and it must be connected to its own separate, fused power point to assure its continued operation should any other electrical accessory fail.

**Caution:** When drilling into any vehicle surface, make sure the area is free from any electrical wires, fuel lines, vehicle upholstery, etc. that could be damaged

Adhesive Mount



Permanent Mount



**Wire: ED3777XX**

- RED: Positive, Colors 1 & 3 (need to add 5A Fuse)
- WHITE: Positive, Colors 2 & 4 (need to add 5A Fuse)
- BLACK: Negative
- BLUE: Pattern Select to negative
- YELLOW: Synchronized Function  
(Up to 8 units can be Synchronized)
- ORANGE: Takedown Light Operation (need to add 2A Fuse)
- GREEN: Ground Light Operation (need to add 2A Fuse)

|          | RED          | WHITE        |
|----------|--------------|--------------|
| PRODUCT  | 1 & 3 COLORS | 2 & 4 COLORS |
| ED3777AW | AMBER        | WHITE        |
| ED3777BW | BLUE         | WHITE        |
| ED3777RB | RED          | BLUE         |
| ED3777RW | RED          | WHITE        |
| ED3777AG | AMBER        | GREEN        |
| ED3777AB | AMBER        | BLUE         |
| ED3777AR | AMBER        | RED          |

**WARNING!**

This unit is a safety device and it must be connected to its own separate fused power point to assure its continued operation should any other electrical accessory fail.

**WARNING!**

When drilling into any vehicle surface, make sure the area is free from any electrical wires, fuel lines, vehicle upholstery, etc. that could be damaged.

**ED3777X Series Flash Pattern Chart:**

| PATTERN | MODE       | FLASH PATTERNS                  | SYNC. | SAE J595 |         |         |         | CA T13  |         |         | SAE J845   |              |             |              | ECE R65 |         |         |
|---------|------------|---------------------------------|-------|----------|---------|---------|---------|---------|---------|---------|------------|--------------|-------------|--------------|---------|---------|---------|
|         |            |                                 |       | RED      | AMBER   | BLUE    | WHITE   | RED     | AMBER   | BLUE    | RED (140°) | AMBER (140°) | BLUE (140°) | WHITE (100°) | RED     | AMBER   | BLUE    |
| 1       | 1          | Single Flash 75FPM sim. Phase1  | yes   | Class 1  | Class 1 | Class 1 | Class 1 | Class B | Class B | Class B | Class 1    | Class 1      | Class 1     | Class 1      | N/C     | N/C     | N/C     |
|         | 2          | Single Flash 75FPM sim. Phase2  | yes   | Class 1  | Class 1 | Class 1 | Class 1 | Class B | Class B | Class B | Class 1    | Class 1      | Class 1     | Class 1      | N/C     | N/C     | N/C     |
|         | 3          | Single Flash 75FPM Alt.         | yes   | N/C      | N/C     | N/C     | N/C     | N/C     | N/C     | N/C     | N/C        | N/C          | N/C         | N/C          | N/C     | N/C     | N/C     |
| 2       | 4          | Single Flash 120FPM sim. Phase1 | yes   | Class 1  | Class 1 | Class 1 | Class 1 | N/C     | N/C     | N/C     | Class 1    | Class 1      | Class 1     | Class 1      | Class 1 | Class 1 | Class 1 |
|         | 5          | Single Flash 120FPM sim. phase2 | yes   | Class 1  | Class 1 | Class 1 | Class 1 | N/C     | N/C     | N/C     | Class 1    | Class 1      | Class 1     | Class 1      | Class 1 | Class 1 | Class 1 |
|         | 6          | Single Flash 120FPM Alt.        | yes   | N/C      | N/C     | N/C     | N/C     | N/C     | N/C     | N/C     | N/C        | N/C          | N/C         | N/C          | N/C     | N/C     | N/C     |
| 3       | 7          | Double Flash 75FPM sim. Phase1  | yes   | Class 1  | Class 1 | Class 1 | Class 1 | N/C     | N/C     | N/C     | Class 1    | Class 1      | Class 1     | Class 1      | N/C     | N/C     | N/C     |
|         | 8          | Double Flash 75FPM sim. phase2  | yes   | Class 1  | Class 1 | Class 1 | Class 1 | N/C     | N/C     | N/C     | Class 1    | Class 1      | Class 1     | Class 1      | N/C     | N/C     | N/C     |
|         | 9          | Double Flash 75FPM Alt.         | yes   | N/C      | N/C     | N/C     | N/C     | N/C     | N/C     | N/C     | N/C        | N/C          | N/C         | N/C          | N/C     | N/C     | N/C     |
| 4       | 10         | Double Flash 120FPM sim. Phase1 | yes   | Class 1  | Class 1 | Class 1 | Class 1 | N/C     | N/C     | N/C     | Class 1    | Class 1      | Class 1     | Class 1      | Class 1 | Class 1 | Class 1 |
|         | 11         | Double Flash 120FPM sim. phase2 | yes   | Class 1  | Class 1 | Class 1 | Class 1 | N/C     | N/C     | N/C     | Class 1    | Class 1      | Class 1     | Class 1      | Class 1 | Class 1 | Class 1 |
|         | 12         | Double Flash 120FPM Alt.        | yes   | N/C      | N/C     | N/C     | N/C     | N/C     | N/C     | N/C     | N/C        | N/C          | N/C         | N/C          | N/C     | N/C     | N/C     |
| 5       | 13-Default | Quad Flash 75FPM sim. Phase1    | yes   | Class 1  | Class 1 | Class 1 | Class 2 | N/C     | N/C     | N/C     | Class 1    | Class 1      | Class 1     | Class 2      | N/C     | N/C     | N/C     |
|         | 14         | Quad Flash 75FPM sim. Phase2    | yes   | Class 1  | Class 1 | Class 1 | Class 2 | N/C     | N/C     | N/C     | Class 1    | Class 1      | Class 1     | Class 2      | N/C     | N/C     | N/C     |
|         | 15         | Quad Flash 75FPM Alt.           | yes   | N/C      | N/C     | N/C     | N/C     | N/C     | N/C     | N/C     | N/C        | N/C          | N/C         | N/C          | N/C     | N/C     | N/C     |
| 6       | 16         | Quad Flash 150FPM sim. Phase1   | yes   | Class 1  | Class 1 | Class 1 | Class 2 | N/C     | N/C     | N/C     | Class 1    | Class 2      | Class 2     | Class 2      | N/C     | N/C     | N/C     |
|         | 17         | Quad Flash 150FPM sim. Phase2   | yes   | Class 1  | Class 1 | Class 1 | Class 2 | N/C     | N/C     | N/C     | Class 1    | Class 2      | Class 2     | Class 2      | N/C     | N/C     | N/C     |
|         | 18         | Quad Flash 150FPM Alt           | yes   | N/C      | N/C     | N/C     | N/C     | N/C     | N/C     | N/C     | N/C        | N/C          | N/C         | N/C          | N/C     | N/C     | N/C     |

| PATTERN | MODE | FLASH PATTERNS                    | SYNC. | SAE J595 |         |         |         | CA T13 |       |      | SAE J845   |              |             |              | ECE R65 |       |      |
|---------|------|-----------------------------------|-------|----------|---------|---------|---------|--------|-------|------|------------|--------------|-------------|--------------|---------|-------|------|
|         |      |                                   |       | RED      | AMBER   | BLUE    | WHITE   | RED    | AMBER | BLUE | RED (140°) | AMBER (140°) | BLUE (140°) | WHITE (100°) | RED     | AMBER | BLUE |
| 7       | 19   | Triple 75FPM sim. Phase1          | yes   | Class 1  | Class 1 | Class 1 | Class 1 | N/C    | N/C   | N/C  | Class 1    | Class 1      | Class 1     | Class 1      | N/C     | N/C   | N/C  |
|         | 20   | Triple 75FPM sim. Phase2          | yes   | Class 1  | Class 1 | Class 1 | Class 1 | N/C    | N/C   | N/C  | Class 1    | Class 1      | Class 1     | Class 1      | N/C     | N/C   | N/C  |
|         | 21   | Triple 75FPM Alt.                 | yes   | N/C      | N/C     | N/C     | N/C     | N/C    | N/C   | N/C  | N/C        | N/C          | N/C         | N/C          | N/C     | N/C   | N/C  |
| 8       | 22   | Quint Flash 150FPM sim. Phase1    | yes   | Class 1  | Class 1 | Class 1 | Class 2 | N/C    | N/C   | N/C  | Class 1    | Class 2      | Class 2     | Class 2      | N/C     | N/C   | N/C  |
|         | 23   | Quint Flash 150FPM sim. Phase2    | yes   | Class 1  | Class 1 | Class 1 | Class 2 | N/C    | N/C   | N/C  | Class 1    | Class 2      | Class 2     | Class 2      | N/C     | N/C   | N/C  |
|         | 24   | Quint Flash 150FPM Alt.           | yes   | N/C      | N/C     | N/C     | N/C     | N/C    | N/C   | N/C  | N/C        | N/C          | N/C         | N/C          | N/C     | N/C   | N/C  |
| 9       | 25   | Steady - Single                   | NO    | N/C      | N/C     | N/C     | N/C     | N/C    | N/C   | N/C  | N/C        | N/C          | N/C         | N/C          | N/C     | N/C   | N/C  |
| 10      | 26   | Steady Burn                       | NO    | N/C      | N/C     | N/C     | N/C     | N/C    | N/C   | N/C  | N/C        | N/C          | N/C         | N/C          | N/C     | N/C   | N/C  |
| 11      | 27   | Modulation                        | NO    | N/C      | N/C     | N/C     | N/C     | N/C    | N/C   | N/C  | N/C        | N/C          | N/C         | N/C          | N/C     | N/C   | N/C  |
| 12      | 28   | 2 Double Flash,2 Triple Alt.      | NO    | N/C      | N/C     | N/C     | N/C     | N/C    | N/C   | N/C  | N/C        | N/C          | N/C         | N/C          | N/C     | N/C   | N/C  |
| 13      | 29   | 4 Single Flash ,2 Quad Flash Alt. | NO    | N/C      | N/C     | N/C     | N/C     | N/C    | N/C   | N/C  | N/C        | N/C          | N/C         | N/C          | N/C     | N/C   | N/C  |

**ED3777XX Series Flash Pattern Chart:**

|         |                                  |                                |   | SAE J595   |   |         |         |         |         | CA T13  |         |         | ECE R65 |       |      |
|---------|----------------------------------|--------------------------------|---|--|---|---------|---------|---------|---------|---------|---------|---------|---------|-------|------|
| PATTERN | LED Color 2 & Color 4 White line | LED Color 1 & Color 3 Red line | LED Color 1 & Color 3 LED Color 2 & Color 4 | ED3777 FLASH PATTERN   | SYNCH   | RED     | AMBER   | BLUE    | WHITE   | RED     | AMBER   | BLUE    | RED     | AMBER | BLUE |
| 1       | 1-Default                        |                                | 1   | SAE/T13 SAE/T13 Single 75FPM Ph1 Color 1 Synchronous Color 3   | YES   | Class 1 | Class 1 | Class1  | Class1  | Class B | Class B | Class B | N/C     | N/C   | N/C  |
|         | 2                                |                                | 2   | SAE/T13 SAE/T13 Single 75FPM Ph2 color 1 Synchronous Color 3   | YES   | Class 1 | Class 1 | Class 1 | Class 1 | Class B | Class B | Class b | N/C     | N/C   | N/C  |
|         |                                  |                                | 3   | SAE/T13 Single 75FPM Ph1 Color 1 Alternately Color 4   | YES   | N/C     | N/C     | N/C     | N/C     | N/C     | N/C     | N/C     | N/C     | N/C   | N/C  |
|         |                                  |                                | 4   | SAE/T13 Single 75FPM Ph2 Color 1 Alternately Color 4   | YES   | N/C     | N/C     | N/C     | N/C     | N/C     | N/C     | N/C     | N/C     | N/C   | N/C  |
|         |                                  | 1-Default                      | 5   | SAE/T13 Single 75FPM Ph1 Color 2 Synchronous Color 4   | YES   | Class 1 | Class 1 | Class 1 | Class 1 | Class B | Class B | Class B | N/C     | N/C   | N/C  |
|         |                                  | 2                              | 6   | SAE/T13 Single 75FPM Ph2 Color 2 Synchronous Color 4   | YES   | Class 1 | Class 1 | Class 1 | Class 1 | Class B | Class B | Class B | N/C     | N/C   | N/C  |
|         | 3                                | 3                              | 7   | SAE/T13 Single 75FPM (Color 1 Synchronous Color 3) Alternately (Color 2 Synchronous Color 4) Phase 1)  | YES   | N/C     | N/C     | N/C     | N/C     | N/C     | N/C     | N/C     | N/C     | N/C   | N/C  |
|         | 4                                | 4                              | 8   | SAE/T13 Single 75FPM (Color 1 Synchronous Color 3) Alternately (Color 2 Synchronous Color 4) Phase 2)  | YES   | N/C     | N/C     | N/C     | N/C     | N/C     | N/C     | N/C     | N/C     | N/C   | N/C  |
|         | 5                                | 5                              | 9   | SAE/T13 Single 75FPM (Color 1 Alternately Color 2) Alternately (Color 3 Alternately Color 4)           | YES   | N/C     | N/C     | N/C     | N/C     | N/C     | N/C     | N/C     | N/C     | N/C   | N/C  |
| 2       | 6                                |                                | 10  | Single 375FPM Ph1 Color 1 Synchronous Color 3  | YES   | N/C     | N/C     | N/C     | N/C     | N/C     | N/C     | N/C     | N/C     | N/C   | N/C  |
|         | 7                                |                                | 11  | Single 375FPM Ph2 Color 1 Synchronous Color 3  | YES   | N/C     | N/C     | N/C     | N/C     | N/C     | N/C     | N/C     | N/C     | N/C   | N/C  |
|         |                                  |                                | 12  | Single 375FPM Ph1 Color 1 Alternately Color 4  | YES   | N/C     | N/C     | N/C     | N/C     | N/C     | N/C     | N/C     | N/C     | N/C   | N/C  |
|         |                                  |                                | 13  | Single 375FPM Ph2 Color 1 Alternately Color 4  | YES   | N/C     | N/C     | N/C     | N/C     | N/C     | N/C     | N/C     | N/C     | N/C   | N/C  |
|         |                                  | 6                              | 14  | Single 375FPM Ph1 Color 2 Synchronous Color 4  | YES   | N/C     | N/C     | N/C     | N/C     | N/C     | N/C     | N/C     | N/C     | N/C   | N/C  |
|         |                                  | 7                              | 15  | Single 375FPM Ph2 Color 2 Synchronous Color 4  | YES   | N/C     | N/C     | N/C     | N/C     | N/C     | N/C     | N/C     | N/C     | N/C   | N/C  |
|         | 8                                | 8                              | 16  | Single 375FPM (Color 1 Synchronous Color 3) Alternately (Color 2 Synchronous Color 4)(Phase 1)         | YES   | N/C     | N/C     | N/C     | N/C     | N/C     | N/C     | N/C     | N/C     | N/C   | N/C  |
|         | 9                                | 9                              | 17  | Single 375FPM (Color 1 Synchronous Color 3) Alternately (Color 2 Synchronous Color 4)(Phase 2)         | YES   | N/C     | N/C     | N/C     | N/C     | N/C     | N/C     | N/C     | N/C     | N/C   | N/C  |
|         | 10                               | 10                             | 18  | Single 375FPM (Color 1 Alternately Color 2) Alternately (Color 3 Alternately Color 4)                  | YES   | N/C     | N/C     | N/C     | N/C     | N/C     | N/C     | N/C     | N/C     | N/C   | N/C  |
|         | 3                                | 11                             |   | 19   | SAE/T13 SAE/ T13 Double 75FPM Ph1 Color 1 Synchronous Color 3 | YES     | Class 1 | Class 1 | Class 1 | Class 1 | Class B | Class B | Class B | N/C   | N/C  |
| 12      |                                  |                                | 20  | SAE/T13 SAE/ T13 Double 75FPM Ph2 Color 1 Synchronous Color 3  | YES   | Class 1 | Class 1 | Class 1 | Class 1 | Class B | Class B | Class B | N/C     | N/C   | N/C  |
|         |                                  |                                | 21  | SAE/T13 Double 75FPM Ph1 Color 1 Alternately Color 4   | YES   | N/C     | N/C     | N/C     | N/C     | N/C     | N/C     | N/C     | N/C     | N/C   | N/C  |
|         |                                  |                                | 22  | SAE/T13 Double 75FPM Ph2 Color 1 Alternately Color 4   | YES   | N/C     | N/C     | N/C     | N/C     | N/C     | N/C     | N/C     | N/C     | N/C   | N/C  |
|         |                                  | 11                             | 23  | SAE/T13 Double 75FPM Ph1 Color 2 Synchronous Color 4   | YES   | Class 1 | Class 1 | Class 1 | Class 1 | Class B | Class B | Class B | N/C     | N/C   | N/C  |
|         |                                  | 12                             | 24  | SAE/T13 Double 75FPM Ph2 Color 2 Synchronous Color 4   | YES   | Class 1 | Class 1 | Class 1 | Class 1 | Class B | Class B | Class B | N/C     | N/C   | N/C  |
| 13      |                                  | 13                             | 25  | SAE/T13 Double 75FPM (Color 1 Synchronous Color 3) Alternately (Color 2 Synchronous Color 4) (Phase 1) | YES   | N/C     | N/C     | N/C     | N/C     | N/C     | N/C     | N/C     | N/C     | N/C   | N/C  |

|              |                                      |   |  |  |       | SAE J595 |         |         |         | CA T13  |         |         | ECE R65 |         |         |
|--------------|--------------------------------------|---|--|--|-------|----------|---------|---------|---------|---------|---------|---------|---------|---------|---------|
| PAT-<br>TERN | LED color 1<br>& Color 3<br>Red line | LED<br>Color 2 &<br>Color 4<br>White line | LED Color 1 &<br>Color 3 LED<br>Color 2 & Color<br>4 White & Red<br>line | ED3777 FLASH PATTERN   | SYNCH | RED      | AMBER   | BLUE    | WHITE   | RED     | AMBER   | BLUE    | RED     | AMBER   | BLUE    |
|              | 14                                   | 14  | 26   | SAE/T13 Double 75FPM<br>(Color 1 Synchronous Color<br>3) Alternately (Color 2 Syn-<br>chronous Color 4) (Phase 2)    | YES   | N/C      | N/C     | N/C     | N/C     | N/C     | N/C     | N/C     | N/C     | N/C     | N/C     |
|              | 15                                   | 15  | 27   | SAE/T13 Double 75FPM<br>(Color 1 Alternately Color 2)<br>Alternately (Color 3 Alter-<br>nately Color 4)              | YES   | N/C      | N/C     | N/C     | N/C     | N/C     | N/C     | N/C     | N/C     | N/C     | N/C     |
| 4            | 16                                   |   | 28   | ECER65/SAE Double 120FPM<br>Ph1 Color 1 Synchronous<br>Color 3   | YES   | Class 1  | Class 1 | Class 1 | Class 1 | N/C     | N/C     | N/C     | N/C     | Class 1 | Class 1 |
|              | 17                                   |   | 29   | ECER65/SAE Double 120FPM<br>Ph2 Color 1 Synchronous<br>Color 3   | YES   | Class 1  | Class 1 | Class 1 | Class 1 | N/C     | N/C     | N/C     | N/C     | Class 1 | Class 1 |
|              |                                      |   | 30   | ECER65/SAE Double 120FPM<br>Ph1 Color 1 Alternately<br>Color 4   | YES   | N/C      | N/C     | N/C     | N/C     | N/C     | N/C     | N/C     | N/C     | N/C     | N/C     |
|              |                                      |   | 31   | ECER65/SAE Double 120FPM<br>Ph2 Color 1 Alternately<br>Color 4   | YES   | N/C      | N/C     | N/C     | N/C     | N/C     | N/C     | N/C     | N/C     | N/C     | N/C     |
|              |                                      | 16  | 32   | ECER65/SAE Double 120FPM<br>Ph1 Color 2 Synchronous<br>Color 4   | YES   | Class 1  | Class 1 | Class 1 | Class 1 | N/C     | N/C     | N/C     | Class 1 | Class 1 | Class 1 |
|              |                                      | 17  | 33   | ECER65/SAE Double 120FPM<br>Ph2 Color 2 Synchronous<br>Color 4   | YES   | Class 1  | Class 1 | Class 1 | Class 1 | N/C     | N/C     | N/C     | Class 1 | Class 1 | Class 1 |
|              | 18                                   | 18  | 34   | ECER65/SAE Double 120FPM<br>(Color 1 Synchronous Color<br>3) Alternately (Color 2 Syn-<br>chronous Color 4)(Phase 1) | YES   | N/C      | N/C     | N/C     | N/C     | N/C     | N/C     | N/C     | N/C     | N/C     | N/C     |
|              | 19                                   | 19  | 35   | ECE/SAE Double 120FPM<br>(Color 1 Synchronous Color<br>3) Alternately (Color 2 Syn-<br>chronous Color 4) (Phase 2)   | YES   | N/C      | N/C     | N/C     | N/C     | N/C     | N/C     | N/C     | N/C     | N/C     | N/C     |
|              | 20                                   | 20  | 36   | ECER65/SAE Double 120FPM<br>(Color 1 Alternately Color 2)<br>Alternately (Color 3 Alter-<br>nately Color 4)          | YES   | N/C      | N/C     | N/C     | N/C     | Class B | Class B | Class B | N/C     | N/C     | N/C     |
| 5            | 21                                   |   | 37   | SAE/T13 Triple 75FPM Ph1<br>Color 1 Synchronous Color 3  | YES   | Class 1  | Class 1 | Class 1 | Class 2 | Class B | Class B | Class B | N/C     | N/C     | N/C     |
|              | 22                                   |   | 38   | SAE/T13 Triple 75FPM Ph2<br>Color 1 Synchronous Color 3  | YES   | Class 1  | Class 1 | Class 1 | Class 2 | N/C     | N/C     | N/C     | N/C     | N/C     | N/C     |
|              |                                      |   | 39   | SAE/T13 Triple 75FPM Ph1<br>Color 1 Alternately Color 4  | YES   | N/C      | N/C     | N /C    | N/C     | N/C     | N/C     | N/C     | N/C     | N/C     | N/C     |
|              |                                      |   | 40   | SAE/T13 Triple 75FPM Ph2<br>Color 1 Alternately Color 4  | YES   | N/C      | N/C     | N/C     | N/C     | N/C     | N/C     | N/C     | N/C     | N/C     | N/C     |
|              |                                      |   | 41   | SAE/T13 Triple 75FPM Ph1<br>Color 2 Synchronous color 4  | YES   | Class 1  | Class 1 | Class 1 | Class 2 | N/C     | N/C     | N/C     | N/C     | N/C     | N/C     |
|              |                                      | 21  | 42   | SAE/T13 Triple 75FPM Ph2<br>Color 2 Synchronous Color 4  | YES   | Class 1  | Class 1 | Class 1 | Class 2 | Class B | Class B | Class B | N/C     | N/C     | N/C     |
|              |                                      | 22  | 43   | SAE/T13 Triple 75FPM (Color<br>1 Synchronous Color 3)<br>Alternately (Color 2 Synchro-<br>nous Color 4) (Phase 1)    | YES   | N/C      | N/C     | N/C     | N/C     | Class B | Class B | Class B | N/C     | N/C     | N/C     |
|              | 23                                   | 23  | 44   | SAE/T13 Triple 75FPM (Color<br>1 Synchronous Color 3)<br>Alternately Color 2 Synchro-<br>nous Color 4) (Phase 2)     | YES   | N/C      | N/C     | N/C     | N/C     | N/C     | N/C     | N/C     | N/C     | N/C     | N/C     |
|              | 24                                   | 24  | 45   | SAE/T13 Triple 75FPM (Color<br>1 Alternately Color 2) Alter-<br>nately (Color 3 Alternately<br>Color 4)              | YES   | N/C      | N/C     | N/C     | N/C     | N/C     | N/C     | N/C     | N/C     | N/C     | N/C     |

| PAT-<br>TERN | LED<br>color 1 &<br>Color 3<br>Red line | LED Color 2 &<br>Color 4<br>White line | LED Color<br>1 & Color 3<br>LED Color 2 &<br>Color 4 White<br>& Red line                                   | ED3777 FLASH<br>PATTERN   | SYNCH | SAE J595 |         |         |         | CA T13  |         |         | ECE R65 |       |      |
|--------------|---|--|--|---|-------|----------|---------|---------|---------|---------|---------|---------|---------|-------|------|
|              |   |  |  |   |       | RED      | AMBER   | BLUE    | WHITE   | RED     | AMBER   | BLUE    | RED     | AMBER | BLUE |
| 6            | 25                                      |  | 46   | SAE/T13 Quad 75FPM<br>Ph1 Color 1 Synchron-<br>ous Color 3  | YES   | Class 1  | Class 1 | Class 1 | Class 2 | Class B | Class B | Class B | N/C     | N/C   | N/C  |
|              | 26                                      |  | 47   | SAE/T13 Quad 75FPM<br>Ph2 Color 1 Synchron-<br>ous Color 3  | YES   | Class 1  | Class 1 | Class 1 | Class 2 | Class B | Class B | Class B | N/C     | N/C   | N/C  |
|              |   |  | 48   | SAE/T13 Quad 75FPM<br>Ph1 Color 1 Alternately<br>Color 4  | YES   | N/C      | N/C     | N/C     | N/C     | N/C     | N/C     | N/C     | N/C     | N/C   | N/C  |
|              |   |  | 49   | SAE/T13 Quad 75FPM<br>Ph2 Color 1 Alternately<br>color 4  | YES   | N/C      | N/C     | N/C     | N/C     | N/C     | N/C     | N/C     | N/C     | N/C   | N/C  |
|              |   | 25                                     | 50   | SAE/T13 Quad 75FPM<br>Ph1 Color 2 Synchron-<br>ous Color 4  | YES   | Class 1  | Class 1 | Class 1 | Class 2 | Class B | Class B | Class B | N/C     | N/C   | N/C  |
|              |   | 26                                     | 51   | SAE/T13 Quad 75FPM<br>Ph2 Color 2 Synchron-<br>ous Color 4  | YES   | Class 1  | Class 1 | Class 1 | Class 2 | Class B | Class B | Class B | N/C     | N/C   | N/C  |
|              | 27                                      | 27                                     | 52   | SAE/T13 Quad 75FPM<br>(Color 1 Synchronous<br>Color 3) Alternately<br>(Color 2 Synchronous<br>Color 4) (Phase 1)        | YES   | N/C      | N/C     | N/C     | N/C     | N/C     | N/C     | N/C     | N/C     | N/C   | N/C  |
|              | 28                                      | 28                                     | 53   | SAE/T13 Quad 75FPM<br>(Color 1 Synchronous<br>Color 3) Alternately<br>(Color 2 Synchronous<br>Color 4) (Phase 2)        | YES   | N/C      | N/C     | N/C     | N/C     | N/C     | N/C     | N/C     | N/C     | N/C   | N/C  |
|              | 29                                      | 29                                     | 54   | SAE/T13 Quad 75FPM<br>(Color 1 Alternately<br>Color 2) Alternately<br>(Color 3 Alternately<br>Color 4)                  | YES   | N/C      | N/C     | N/C     | N/C     | N/C     | N/C     | N/C     | N/C     | N/C   | N/C  |
| 7            | 30                                      |  | 55   | ECER65/SAE Quad<br>120FPM Ph1 Color 1<br>Synchronous Color 3  | YES   | Class 1  | Class 1 | Class 1 | Class 2 | N/C     | N/C     | N/C     | N/C     | N/C   | N/C  |
|              | 31                                      |  | 56   | ECER65/SAE Quad<br>120FPM Ph2 Color 1<br>Synchronous Color 3  | YES   | Class 1  | Class 1 | Class 1 | Class 2 | N/C     | N/C     | N/C     | N/C     | N/C   | N/C  |
|              |   |  | 57   | ECER65/SAE Quad<br>120FPM Ph1 Color 1<br>Alternately Color 4  | YES   | N/C      | N/C     | N/C     | N/C     | N/C     | N/C     | N/C     | N/C     | N/C   | N/C  |
|              |   |  | 58   | ECER65/SAE Quad<br>120FPM Ph2 Color 1<br>Alternately Color 4  | YES   | N/C      | N/C     | N/C     | N/C     | N/C     | N/C     | N/C     | N/C     | N/C   | N/C  |
|              |   | 30                                     | 59   | ECER65/SAE Quad<br>120FPM Ph1 Color 2<br>Synchronous Color 4  | YES   | Class 1  | Class 1 | Class 1 | Class 2 | N/C     | N/C     | N/C     | N/C     | N/C   | N/C  |
|              |   | 31                                     | 60   | ECER65/SAE Quad<br>120FPM Ph2 Color 2<br>Synchronous Color 4  | YES   | Class 1  | Class 1 | Class 1 | Class 2 | N/C     | N/C     | N/C     | N/C     | N/C   | N/C  |
|              | 32                                      | 32                                     | 61   | ECER65/SAE Quad<br>120FPM (Color 1<br>Synchronous Color 3)<br>Alternately (Color 2<br>Synchronous Color 4)<br>(Phase 1) | YES   | N/C      | N/C     | N/C     | N/C     | N/C     | N/C     | N/C     | N/C     | N/C   | N/C  |
|              | 33                                      | 33                                     | 62   | ECER65/SAE Quad<br>120FPM (Color 1<br>Synchronous Color 3)<br>Alternately (Color 2<br>Synchronous Color 4)<br>(Phase 2) | YES   | N/C      | N/C     | N/C     | N/C     | N/C     | N/C     | N/C     | N/C     | N/C   | N/C  |
| 34           | 34                                      | 63                                     | ECER65/SAE Quad<br>120FPM (Color 1<br>Alternately Color 2)<br>Alternately (Color 3<br>Alternately Color 4) | YES   | N/C   | N/C      | N/C     | N/C     | N/C     | N/C     | N/C     | N/C     | N/C     | N/C   |      |

| PAT-TERN | LED color 1 & Color 3 Red line | LED Color 2 & Color 4 White line | LED Color 1 & Color 3 LED Color 2 & Color 4 White & Red line | ED3777 FLASH PATTERN   | SYNCH | RED | AMBER | BLUE | WHITE | RED | AMBER | BLUE | RED | AMBER | BLUE |
|----------|--------------------------------|----------------------------------|--|--|-------|-----|-------|------|-------|-----|-------|------|-----|-------|------|
| 8        |                                |                                  | 64   | Modualtion (Color 1 Synchronous color 3) Alternately (Color 2 Synchronous Color 4)                 | NO    | N/C | N/C   | N/C  | N/C   | N/C | N/C   | N/C  | N/C | N/C   | N/C  |
| 9        |                                |                                  | 65   | 2 Double, 2 Quad (Color 1 Synchronous Color 3) Alternately (Color 2 Synchronous Color 4)           | NO    | N/C | N/C   | N/C  | N/C   | N/C | N/C   | N/C  | N/C | N/C   | N/C  |
| 10       |                                |                                  | 66   | 4 Single, 2 Triple (Color 1 Synchronous Color 3) Alternately (Color 2 Synchronous Color 4)         | NO    | N/C | N/C   | N/C  | N/C   | N/C | N/C   | N/C  | N/C | N/C   | N/C  |
| 11       |                                |                                  | 67   | 1 Double, 1 Triple, 1 Quad (Color 1 Synchronous Color 3) Alternately (Color 2 Synchronous Color 4) | NO    | N/C | N/C   | N/C  | N/C   | N/C | N/C   | N/C  | N/C | N/C   | N/C  |
| 12       | 35                             |                                  | 68   | Steady burn- Color 1 & 3   | NO    | N/C | N/C   | N/C  | N/C   | N/C | N/C   | N/C  | N/C | N/C   | N/C  |
|          |                                | 35                               | 69   | Steady burn- Color 2 & 4   | NO    | N/C | N/C   | N/C  | N/C   | N/C | N/C   | N/C  | N/C | N/C   | N/C  |

## TROUBLESHOOTING

The ED3777 and ED3777XX series have been factory tested and approved. If the functions of device fail, please check the following:

1. After connecting with the power supply, be sure that the power source end is joined in correct way. And then, make sure that there is no short-circuited power occurring.
2. Ensure Power switch is turned to "ON" position.



**Manufacturer Limited Warranty and Limitation of Liability:**

Manufacturer warrants that on the date of purchase, this product will conform to Manufacturer's specifications for this product (which are available from the Manufacturer upon request). This Limited Warranty extends for Thirty-Six (36) months from the date of purchase.

**DAMAGE TO PARTS OR PRODUCTS RESULTING FROM TAMPERING, ACCIDENT, ABUSE, MISUSE, NEGLIGENCE, UNAPPROVED MODIFICATIONS, FIRE OR OTHER HAZARD; IMPROPER INSTALLATION OR OPERATION; OR NOT BEING MAINTAINED IN ACCORDANCE WITH THE MAINTENANCE PROCEDURES SET FORTH IN MANUFACTURER'S INSTALLATION AND OPERATING INSTRUCTIONS VOIDS THIS LIMITED WARRANTY.**

**Exclusion of Other Warranties:**

MANUFACTURER MAKES NO OTHER WARRANTIES, EXPRESSED OR IMPLIED. THE IMPLIED WARRANTIES FOR MERCHANTABILITY, QUALITY OR FITNESS FOR A PARTICULAR PURPOSE, OR ARISING FROM A COURSE OF DEALING, USAGE OR TRADE PRACTICE ARE HEREBY EXCLUDED AND SHALL NOT APPLY TO THE PRODUCT AND ARE HEREBY DISCLAIMED, EXCEPT TO THE EXTENT PROHIBITED BY APPLICABLE LAW. ORAL STATEMENTS OR REPRESENTATIONS ABOUT THE PRODUCT DO NOT CONSTITUTE WARRANTIES.

**Remedies and Limitation of Liability:**

MANUFACTURER'S SOLE LIABILITY AND BUYER'S EXCLUSIVE REMEDY IN CONTRACT, TORT (INCLUDING NEGLIGENCE), OR UNDER ANY OTHER THEORY AGAINST MANUFACTURER REGARDING THE PRODUCT AND ITS USE SHALL BE, AT MANUFACTURER'S DISCRETION, THE REPLACEMENT OR REPAIR OF THE PRODUCT, OR THE REFUND OF THE PURCHASE PRICE PAID BY BUYER FOR NON-CONFORMING PRODUCT. IN NO EVENT SHALL MANUFACTURER'S LIABILITY ARISING OUT OF THIS LIMITED WARRANTY OR ANY OTHER CLAIM RELATED TO THE MANUFACTURER'S PRODUCTS EXCEED THE AMOUNT PAID FOR THE PRODUCT BY BUYER AT THE TIME OF THE ORIGINAL PURCHASE. IN NO EVENT SHALL MANUFACTURER BE LIABLE FOR LOST PROFITS, THE COST OF SUBSTITUTE EQUIPMENT OR LABOR, PROPERTY DAMAGE, OR OTHER SPECIAL, CONSEQUENTIAL, OR INCIDENTAL DAMAGES BASED UPON ANY CLAIM FOR BREACH OF CONTRACT, IMPROPER INSTALLATION, NEGLIGENCE, OR OTHER CLAIM, EVEN IF MANUFACTURER OR A MANUFACTURER'S REPRESENTATIVE HAS BEEN ADVISED OF THE POSSIBILITY OF SUCH DAMAGES. MANUFACTURER SHALL HAVE NO FURTHER OBLIGATION OR LIABILITY WITH RESPECT TO THE PRODUCT OR ITS SALE, OPERATION AND USE, AND MANUFACTURER NEITHER ASSUMES NOR AUTHORIZES THE ASSUMPTION OF ANY OTHER OBLIGATION OR LIABILITY IN CONNECTION WITH SUCH PRODUCT.

This Limited Warranty defines specific legal rights. You may have other legal rights which vary from jurisdiction to jurisdiction. Some jurisdictions do not allow the exclusion or limitation of incidental or consequential damages.



833 West Diamond St  
Boise, Idaho 83705

**Customer Service**

USA 800-635-5900

UK +44 (0)113 237 5340

AUS +61 (0)3 63322444

[www.eccoeshg.com](http://www.eccoeshg.com)



**ECCO**®

## Instrucciones de Instalación y Operación ED3777 Luz de Advertencia

Las luces LED direccionales ED3777 son combinaciones de: luz de advertencia brillante y versátil en 180 grados, luz de trabajo y luz de suelo que vienen equipadas para una gran variedad de aplicaciones. Su perfil bajo, forma angosta y múltiples opciones de ensamblaje (superficie, borde, autoadhesivo y permanente), además de sus 30 grados de giro ajustable ofrecen una flexibilidad superior cuando se posicionan las luces para una óptima capacidad de advertencia. Ambos modelos ofrecen patrones de destellos y se puede sincronizar varias unidades para que funcionen de forma simultánea o alternativa entre sí. Disponibles en colores sólidos: ED3777X (A,B,R,G,W) o dos colores: ED3777XX (AB, AG, AR, AW, BW, RW, RB)



### **WARNING!**

**Failure to install or use this product according to manufacturer's recommendations may result in property damage, serious injury, and/or death to those you are seeking to protect!**



**Do not install and/or operate this safety product unless you have read and understand the safety information contained in this manual.**

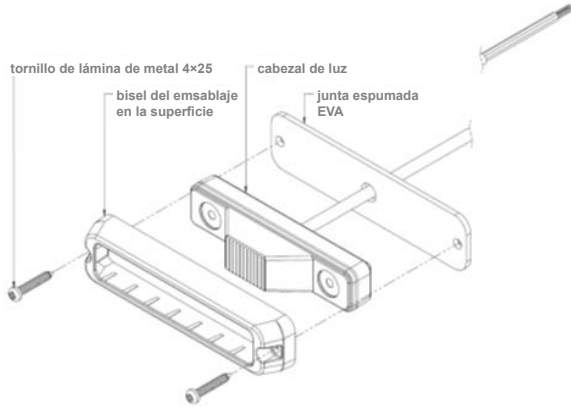
1. Proper installation combined with operator training in the use, care, and maintenance of emergency warning devices are essential to ensure the safety of you and those you are seeking to protect.
2. Exercise caution when working with live electrical connections.
3. This product must be properly grounded. Inadequate grounding and/or shorting of electrical connections can cause high current arcing, which can cause personal injury and/or severe vehicle damage, including fire.
4. Proper placement and installation are vital to the performance of this warning device. Install this product so that output performance of the system is maximized and the controls are placed within convenient reach of the operator so that s/he can operate the system without losing eye contact with the roadway.
5. Do not install this product or route any wires in the deployment area of an air bag. Equipment mounted or located in an air bag deployment area may reduce the effectiveness of the air bag or become a projectile that could cause serious personal injury or death. Refer to the vehicle owner's manual for the air bag deployment area. It is the responsibility of the user/operator to determine a suitable mounting location ensuring the safety of all passengers inside the vehicle particularly avoiding areas of potential head impact.
6. It is the responsibility of the vehicle operator to ensure during use that all features of this product work correctly. In use, the vehicle operator should ensure the projection of the warning signal is not blocked by vehicle components (i.e., open trunks or compartment doors), people, vehicles or other obstructions.
7. The use of this or any other warning device does not ensure all drivers can or will observe or react to a warning signal. Never take the right-of-way for granted. It is your responsibility to be sure you can proceed safely before entering an intersection, driving against traffic, responding at a high rate of speed, or walking on or around traffic lanes.
8. This equipment is intended for use by authorized personnel only. The user is responsible for understanding and obeying all laws regarding warning signal devices. Therefore, the user should check all applicable city, state, and federal laws and regulations. The manufacturer assumes no liability for any loss resulting from the use of this warning device.

## ÍNDICE:

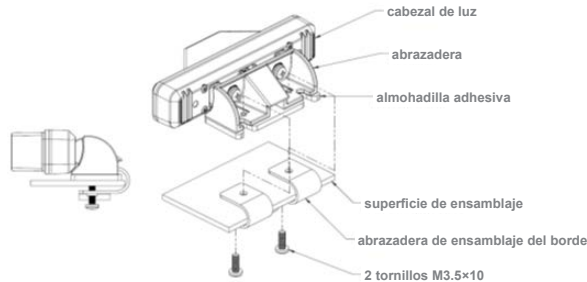
|   |   |
|---|---|
| 1 | Cabezal de luz  |
| 1 | Base de ensamblaje múltiple:<br>Incluye-<br>2- Tornillos de metal laminado M4x25<br>2- Arandelas separadoras<br>4- Tornillos M3.5x10<br>2- Arandelas M3 |
| 1 | Almohadilla adhesiva  |
| 1 | 1 junta espumada EVA  |
| 1 | Abrazadera de ensamblaje del borde  |
| 1 | Bisel del ensamblaje en la superficie   |

## Ensamblaje:

Ensamblaje en la superficie



Ensamblaje en el borde



## Alambre: ED3777

ROJO: Positivo (se necesita añadir un fusible 2A)

NEGRO: Negativo

AZUL: Conmutación de patrones

AMARILLO: Función sincronizada

(Se puede sincronizar hasta 8 unidades)

NARANJA: Operación de reducción de la luz

(se necesita añadir un fusible 2A)

VERDE: Operación de luz de suelo

(se necesita añadir un fusible 2A)

## Ambiente de operación:

**Temperatura ambiente:** -30 a 50°C

## OPERACIÓN EN FASE:

La Fase 1 (Ph1) destella simultáneamente con Ph1

La Fase 2 (Ph2) destella simultáneamente con Ph2

(Se puede sincronizar hasta 8 unidades)

## Aplique el alambre AZUL A NEGRO:

- Menos de 1 seg. para el próximo patrón

- Entre 1-3 seg. para el patrón anterior

- Entre 3-5 seg. para el patrón predeterminado de fábrica

- Más de 5 seg. pasa por defecto al patrón #13 (ED3777) y al patrón #12 (ED3777XX)

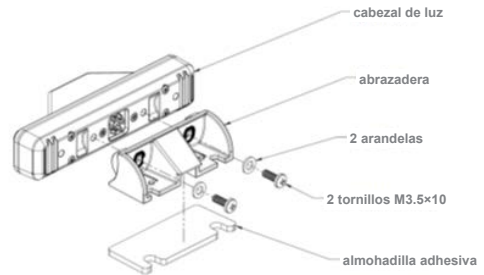
## ESPECIFICACIONES:

|                      |  |
|----------------------|--|
| Tensión de entrada   | 12-24VCC   |
| Corriente de trabajo | ED3777 = 1.8A Máx a CC12V<br>ED3777XX = 3.6A Máx a CC12V |

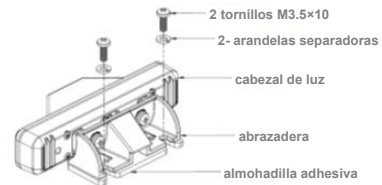
**¡Importante!** Esta unidad es un dispositivo seguro y debe conectarse a su propio tomacorriente con fusible aparte para asegurar su operación continua si cualquier otro accesorio eléctrico fallara.

**Precaución:** Cuando taladre en cualquier superficie del vehículo, asegúrese que no haya en el área ningún alambre eléctrico, líneas de combustible, tapiz del vehículo, etc. que pudiera dañarse

Ensamblaje adhesivo



Ensamblaje permanente



## Cable: ED3777XX

ROJO: Positivo, Colores 1 y 3 (se necesita añadir un fusible 5A)

BLANCO: Positivo, Colores 2 y 4 (se necesita añadir un fusible 5A)

NEGRO: Negativo

AZUL: Selección de patrón en negativo

AMARILLO: Función sincronizada

(Se puede sincronizar hasta 8 unidades)

NARANJA: Operación de reducción de la luz

(se necesita añadir un fusible 2A)

VERDE: Operación de luz de suelo

(se necesita añadir un fusible 2A)

|          | ROJO          | BLANCO        |
|----------|---------------|---------------|
| PRODUCTO | 1 Y 3 COLORES | 2 Y 4 COLORES |
| ED3777AW | ÁMBAR         | BLANCO        |
| ED3777BW | AZUL          | BLANCO        |
| ED3777RB | ROJO          | AZUL          |
| ED3777RW | ROJO          | BLANCO        |
| ED3777AG | ÁMBAR         | VERDE         |
| ED3777AB | ÁMBAR         | AZUL          |
| ED3777AR | ÁMBAR         | ROJO          |

**WARNING!**

This unit is a safety device and it must be connected to its own separate fused power point to assure its continued operation should any other electrical accessory fail.

**WARNING!**

When drilling into any vehicle surface, make sure the area is free from any electrical wires, fuel lines, vehicle upholstery, etc. that could be damaged.

**DETECCIÓN Y RESOLUCIÓN DE PROBLEMAS**

Las series ED3777 y ED3777XX han sido probadas y aprobadas en fábrica. Si las funciones o el dispositivo fallan, revise lo siguiente:

1. Luego de conectarse al suministro de energía, asegúrese de que el extremo de la fuente de energía esté conectado de forma correcta. Y luego, asegúrese que no esté ocurriendo corriente de cortocircuito.
2. Asegúrese que el interruptor de energía esté en la posición de "ON" (encendido).

**Manufacturer Limited Warranty and Limitation of Liability:**

Manufacturer warrants that on the date of purchase, this product will conform to Manufacturer's specifications for this product (which are available from the Manufacturer upon request). This Limited Warranty extends for Thirty-Six (36) months from the date of purchase.

**DAMAGE TO PARTS OR PRODUCTS RESULTING FROM TAMPERING, ACCIDENT, ABUSE, MISUSE, NEGLIGENCE, UNAPPROVED MODIFICATIONS, FIRE OR OTHER HAZARD; IMPROPER INSTALLATION OR OPERATION; OR NOT BEING MAINTAINED IN ACCORDANCE WITH THE MAINTENANCE PROCEDURES SET FORTH IN MANUFACTURER'S INSTALLATION AND OPERATING INSTRUCTIONS VOIDS THIS LIMITED WARRANTY.**

**Exclusion of Other Warranties:**

**MANUFACTURER MAKES NO OTHER WARRANTIES, EXPRESSED OR IMPLIED. THE IMPLIED WARRANTIES FOR MERCHANTABILITY, QUALITY OR FITNESS FOR A PARTICULAR PURPOSE, OR ARISING FROM A COURSE OF DEALING, USAGE OR TRADE PRACTICE ARE HEREBY EXCLUDED AND SHALL NOT APPLY TO THE PRODUCT AND ARE HEREBY DISCLAIMED, EXCEPT TO THE EXTENT PROHIBITED BY APPLICABLE LAW. ORAL STATEMENTS OR REPRESENTATIONS ABOUT THE PRODUCT DO NOT CONSTITUTE WARRANTIES.**

**Remedies and Limitation of Liability:**

**MANUFACTURER'S SOLE LIABILITY AND BUYER'S EXCLUSIVE REMEDY IN CONTRACT, TORT (INCLUDING NEGLIGENCE), OR UNDER ANY OTHER THEORY AGAINST MANUFACTURER REGARDING THE PRODUCT AND ITS USE SHALL BE, AT MANUFACTURER'S DISCRETION, THE REPLACEMENT OR REPAIR OF THE PRODUCT, OR THE REFUND OF THE PURCHASE PRICE PAID BY BUYER FOR NON-CONFORMING PRODUCT. IN NO EVENT SHALL MANUFACTURER'S LIABILITY ARISING OUT OF THIS LIMITED WARRANTY OR ANY OTHER CLAIM RELATED TO THE MANUFACTURER'S PRODUCTS EXCEED THE AMOUNT PAID FOR THE PRODUCT BY BUYER AT THE TIME OF THE ORIGINAL PURCHASE. IN NO EVENT SHALL MANUFACTURER BE LIABLE FOR LOST PROFITS, THE COST OF SUBSTITUTE EQUIPMENT OR LABOR, PROPERTY DAMAGE, OR OTHER SPECIAL, CONSEQUENTIAL, OR INCIDENTAL DAMAGES BASED UPON ANY CLAIM FOR BREACH OF CONTRACT, IMPROPER INSTALLATION, NEGLIGENCE, OR OTHER CLAIM, EVEN IF MANUFACTURER OR A MANUFACTURER'S REPRESENTATIVE HAS BEEN ADVISED OF THE POSSIBILITY OF SUCH DAMAGES. MANUFACTURER SHALL HAVE NO FURTHER OBLIGATION OR LIABILITY WITH RESPECT TO THE PRODUCT OR ITS SALE, OPERATION AND USE, AND MANUFACTURER NEITHER ASSUMES NOR AUTHORIZES THE ASSUMPTION OF ANY OTHER OBLIGATION OR LIABILITY IN CONNECTION WITH SUCH PRODUCT.**

This Limited Warranty defines specific legal rights. You may have other legal rights which vary from jurisdiction to jurisdiction. Some jurisdictions do not allow the exclusion or limitation of incidental or consequential damages.



833 West Diamond St.  
Boise, Idaho 83705  
Servicio al cliente  
EE.UU. 800.635.5900  
Reino Unido +44 (0)113 237 5340  
AUS +61 (0)3 63322444  
[www.eccoesg.com](http://www.eccoesg.com)



**ECCO®**

## Instructions d'installation et d'utilisation ED3777 Éclairage d'avertissement

Les DELs directionnels ED3777 sont des éclairages d'avertissement lumineux et polyvalents de 180 degrés, des combinaisons de feux de chantier et d'entrée de porte qui conviennent à une grande variété d'applications. Leur profil bas, forme réduite et plusieurs options de montage (de surface, de bord, auto-collants et permanentes) et leur plage de pivotement ajustable de 30 degrés offrent une plus grande flexibilité lors du positionnement de l'éclairage pour optimiser la capacité d'avertissement rapide. Les deux modèles offrent plusieurs modes clignotants et plusieurs unités peuvent être synchronisées de manière à fonctionner simultanément ou alternativement les unes avec les autres. Disponible en couleurs solides : ED3777X (A,B,R,G,W)  
Deux couleurs : ED3777XX (AB, AG, AR, AW, BW, RW, RB)



### **WARNING!**

**Failure to install or use this product according to manufacturer's recommendations may result in property damage, serious injury, and/or death to those you are seeking to protect!**



**Do not install and/or operate this safety product unless you have read and understand the safety information contained in this manual.**

1. Proper installation combined with operator training in the use, care, and maintenance of emergency warning devices are essential to ensure the safety of you and those you are seeking to protect.
2. Exercise caution when working with live electrical connections.
3. This product must be properly grounded. Inadequate grounding and/or shorting of electrical connections can cause high current arcing, which can cause personal injury and/or severe vehicle damage, including fire.
4. Proper placement and installation are vital to the performance of this warning device. Install this product so that output performance of the system is maximized and the controls are placed within convenient reach of the operator so that s/he can operate the system without losing eye contact with the roadway.
5. Do not install this product or route any wires in the deployment area of an air bag. Equipment mounted or located in an air bag deployment area may reduce the effectiveness of the air bag or become a projectile that could cause serious personal injury or death. Refer to the vehicle owner's manual for the air bag deployment area. It is the responsibility of the user/operator to determine a suitable mounting location ensuring the safety of all passengers inside the vehicle particularly avoiding areas of potential head impact.
6. It is the responsibility of the vehicle operator to ensure during use that all features of this product work correctly. In use, the vehicle operator should ensure the projection of the warning signal is not blocked by vehicle components (i.e., open trunks or compartment doors), people, vehicles or other obstructions.
7. The use of this or any other warning device does not ensure all drivers can or will observe or react to a warning signal. Never take the right-of-way for granted. It is your responsibility to be sure you can proceed safely before entering an intersection, driving against traffic, responding at a high rate of speed, or walking on or around traffic lanes.
8. This equipment is intended for use by authorized personnel only. The user is responsible for understanding and obeying all laws regarding warning signal devices. Therefore, the user should check all applicable city, state, and federal laws and regulations. The manufacturer assumes no liability for any loss resulting from the use of this warning device.

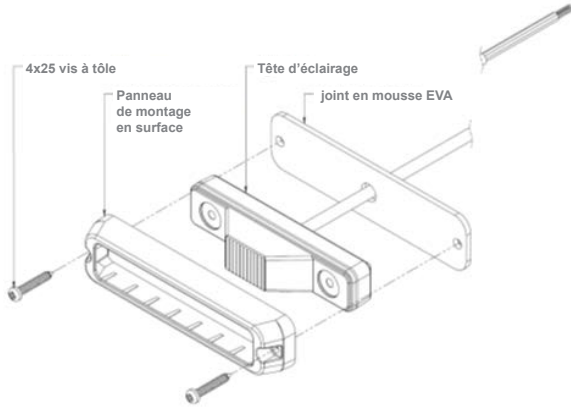


## CONTENU :

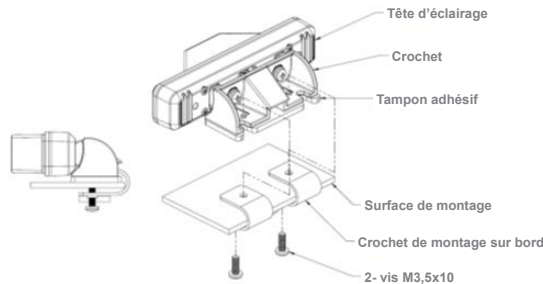
|   |  |
|---|--|
| 1 | Tête d'éclairage   |
| 1 | Montage multi-positions :<br>Comprend-<br>2- M4x25 vis à tête<br>2- rondelles fendues<br>4- vis M3.5x10<br>2- M3 rondelles fendues |
| 1 | Tampon adhésif   |
| 1 | 1- joint en mousse EVA   |
| 1 | Crochet de montage sur bord  |
| 1 | Panneau de montage en surface  |

## Montage :

Montage en surface



Montage de bord



## Câblage : ED3777

ROUGE : Positif (besoin d'ajouter un fusible 2A)

NOIR : Négatif

BLEU : Commutation de configuration

JAUNE : Fonction synchronisée

(Jusqu'à 8 unités peuvent être synchronisées)

ORANGE : Fonctionnement de l'éclairage de retrait  
(besoin d'ajouter fusible 2A)

VERT : Fonctionnement de l'éclairage de masse  
(besoin d'ajouter fusible 2A)

## Environnement de fonctionnement :

Température ambiante : -30 à 50°C

FONCTIONNEMENT PHASE :

Phase 1 (Ph1) clignote simultanément avec Ph1

Phase 2 (Ph2) clignote simultanément avec Ph2

(Jusqu'à 8 unités peuvent être synchronisées)

### Appliquer BLEU au câble NOIR :

- Moins de 1 sec. pour la prochaine configuration
- Entre 1 et 3 sec. Pour la configuration précédente
- Entre 3 et 5 sec. pour configuration d'usine par défaut
- Plus de 5 sec. valeur par défaut au motif no.13 (ED3777) et motif no. 12 ED3777XX

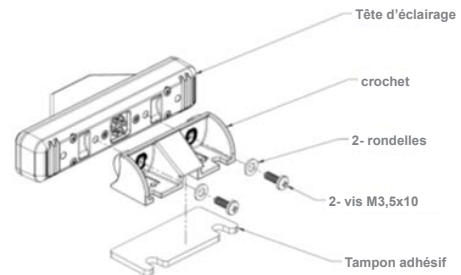
## SPÉCIFICATIONS

|                  |  |
|------------------|--|
| Tension d'entrée | 12-24VDC   |
| Courant utile    | ED3777 = 1,8A Max @ DC12V<br>ED3777XX = 3,6A Max @ DC12V |

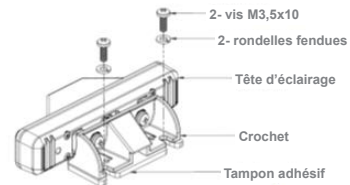
**Important !** Cet appareil est un dispositif de sécurité et il doit être connecté à son propre point d'alimentation à fusible, pour assurer son fonctionnement continu en cas de panne de tout autre accessoire électrique.

**Attention :** Lors du perçage de la surface de n'importe quel véhicule, s'assurer de le faire loin de tous fils électriques, conduites de carburant, sièges de véhicule, etc. qui pourraient être endommagés.

Fixation adhésive



Montage permanent



## Câblage : ED3777XX

ROUGE : Positif, couleurs 1 et 3 (besoin d'ajouter un fusible 5A)

BLANC : Positif, couleurs 2 et 4 (besoin d'ajouter un fusible 5A)

NOIR : Négatif

BLEU : Sélection de configuration à négatif

JAUNE : Fonction synchronisée

(Jusqu'à 8 unités peuvent être synchronisées)

ORANGE : Fonctionnement de l'éclairage de retrait  
(besoin d'ajouter fusible 2A)

VERT : Fonctionnement de l'éclairage de masse  
(besoin d'ajouter fusible 2A)

|          | ROUGE           | BLANC           |
|----------|-----------------|-----------------|
| PRODUIT  | COULEURS 1 et 3 | COULEURS 2 et 4 |
| ED3777AW | AMBRE           | BLANC           |
| ED3777BW | BLEU            | BLANC           |
| ED3777RB | ROUGE           | BLEU            |
| ED3777RW | ROUGE           | BLANC           |
| ED3777AG | AMBRE           | VERT            |
| ED3777AB | AMBRE           | BLEU            |
| ED3777AR | AMBRE           | ROUGE           |

**WARNING!**

This unit is a safety device and it must be connected to its own separate fused power point to assure its continued operation should any other electrical accessory fail.

**WARNING!**

When drilling into any vehicle surface, make sure the area is free from any electrical wires, fuel lines, vehicle upholstery, etc. that could be damaged.

**DÉPANNAGE**

Les appareils séries ED3777 et ED3777XX ont été testés en usine et approuvés. Si les fonctions de l'appareil tombent en panne, veuillez vérifier les points suivants :

1. Après avoir branché l'appareil, assurez-vous que la source d'alimentation est jointe correctement. Ensuite, assurez-vous qu'aucun court-circuit ne se produise.
2. Assurez-vous que le commutateur est mis en position de MARCHE.

**Manufacturer Limited Warranty and Limitation of Liability:**

Manufacturer warrants that on the date of purchase, this product will conform to Manufacturer's specifications for this product (which are available from the Manufacturer upon request). This Limited Warranty extends for Thirty-Six (36) months from the date of purchase.

**DAMAGE TO PARTS OR PRODUCTS RESULTING FROM TAMPERING, ACCIDENT, ABUSE, MISUSE, NEGLIGENCE, UNAPPROVED MODIFICATIONS, FIRE OR OTHER HAZARD; IMPROPER INSTALLATION OR OPERATION; OR NOT BEING MAINTAINED IN ACCORDANCE WITH THE MAINTENANCE PROCEDURES SET FORTH IN MANUFACTURER'S INSTALLATION AND OPERATING INSTRUCTIONS VOIDS THIS LIMITED WARRANTY.**

**Exclusion of Other Warranties:**

**MANUFACTURER MAKES NO OTHER WARRANTIES, EXPRESSED OR IMPLIED. THE IMPLIED WARRANTIES FOR MERCHANTABILITY, QUALITY OR FITNESS FOR A PARTICULAR PURPOSE, OR ARISING FROM A COURSE OF DEALING, USAGE OR TRADE PRACTICE ARE HEREBY EXCLUDED AND SHALL NOT APPLY TO THE PRODUCT AND ARE HEREBY DISCLAIMED, EXCEPT TO THE EXTENT PROHIBITED BY APPLICABLE LAW. ORAL STATEMENTS OR REPRESENTATIONS ABOUT THE PRODUCT DO NOT CONSTITUTE WARRANTIES.**

**Remedies and Limitation of Liability:**

**MANUFACTURER'S SOLE LIABILITY AND BUYER'S EXCLUSIVE REMEDY IN CONTRACT, TORT (INCLUDING NEGLIGENCE), OR UNDER ANY OTHER THEORY AGAINST MANUFACTURER REGARDING THE PRODUCT AND ITS USE SHALL BE, AT MANUFACTURER'S DISCRETION, THE REPLACEMENT OR REPAIR OF THE PRODUCT, OR THE REFUND OF THE PURCHASE PRICE PAID BY BUYER FOR NON-CONFORMING PRODUCT. IN NO EVENT SHALL MANUFACTURER'S LIABILITY ARISING OUT OF THIS LIMITED WARRANTY OR ANY OTHER CLAIM RELATED TO THE MANUFACTURER'S PRODUCTS EXCEED THE AMOUNT PAID FOR THE PRODUCT BY BUYER AT THE TIME OF THE ORIGINAL PURCHASE. IN NO EVENT SHALL MANUFACTURER BE LIABLE FOR LOST PROFITS, THE COST OF SUBSTITUTE EQUIPMENT OR LABOR, PROPERTY DAMAGE, OR OTHER SPECIAL, CONSEQUENTIAL, OR INCIDENTAL DAMAGES BASED UPON ANY CLAIM FOR BREACH OF CONTRACT, IMPROPER INSTALLATION, NEGLIGENCE, OR OTHER CLAIM, EVEN IF MANUFACTURER OR A MANUFACTURER'S REPRESENTATIVE HAS BEEN ADVISED OF THE POSSIBILITY OF SUCH DAMAGES. MANUFACTURER SHALL HAVE NO FURTHER OBLIGATION OR LIABILITY WITH RESPECT TO THE PRODUCT OR ITS SALE, OPERATION AND USE, AND MANUFACTURER NEITHER ASSUMES NOR AUTHORIZES THE ASSUMPTION OF ANY OTHER OBLIGATION OR LIABILITY IN CONNECTION WITH SUCH PRODUCT.**

**This Limited Warranty defines specific legal rights. You may have other legal rights which vary from jurisdiction to jurisdiction. Some jurisdictions do not allow the exclusion or limitation of incidental or consequential damages.**



833 West Diamond St  
Boise, Idaho 83705  
Le Service Client  
États-Unis 800.635.5900  
Royaume-Uni +44 (0)113 237 5340  
AUS +61 (0)3 63322444  
[www.eccoesg.com](http://www.eccoesg.com)