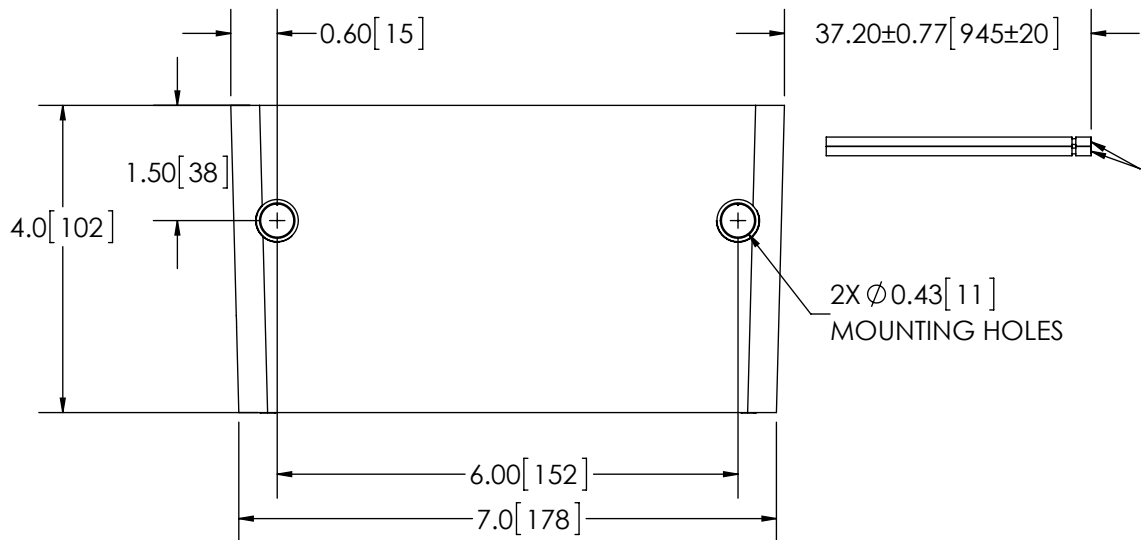


REVISION HISTORY		
REV.	DESCRIPTION	DATE
05	REVISED PER P13014	2014-10-14
A	INITIAL RELEASE PER P13014	2014-10-17
B	REVISE PER P13014	2015-07-09

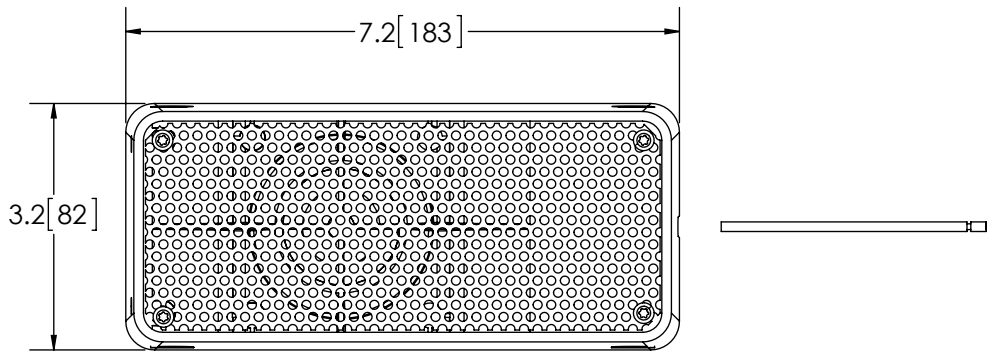


2-18 AWG WIRES  
 RED - POSITIVE(+)  
 BLACK - NEGATIVE(-)


2X Ø0.43 [11]  
 MOUNTING HOLES

### SPECIFICATIONS

- CERTIFICATIONS: **CE**; ECE R10; SAE J994(MAR 2009) TYPE F; IP66  
 Note: Unique components, accessories, and hardware kits are not typically included in the Product Certification Test Protocols. Unless otherwise Specified, the Product Certifications referred to herein are predicated upon the base product model configuration.
- SOUND PRESSURE LEVEL: 87 to 107 ± 4 dB (A) @ 1.2m (4ft)
- VOLTAGE (NOMINAL): 12 to 24 VDC
- VOLTAGE (EXTREME): 9.0 to 32.0 VDC
- CURRENT (PEAK): 0.85 A (@ 12 VDC NOMINAL)
- POWER (MAXIMUM): 11.9 W (@ 12 VDC NOMINAL)
- TEMPERATURE RANGE: -40°F (-40°C) TO 185°F (85°C)
- FREQUENCY: 700 to 2800 Hz
- CONNECTION: 2-18 AWG WIRES
- RECOMMENDED MOUNTING: 3/8 - 16 UNC, GRADE 5 OR BETTER; 3/8" TYPE A, SERIES N OR W WASHER
- HOUSING MATERIAL: GLASS-FILLED NYLON
- PRODUCT WEIGHT: 3.24 LBS (1.46 Kg)



NOTES:  
 1. ROHS COMPLIANT  
 2. DIMENSIONS IN INCHES[MILLIMETERS (FOR REFERENCE)]

SCALE 1:2.5		APPROVALS	DATE	 www.eccolink.com Americas (800) 635-5900   Europe +44 (0)113 237 5340   Asia Pacific +61 (0)3 63322444											
CAD GENERATED DRAWING DO NOT MANUALLY UPDATE. MODEL REFERENCED:A		DRAWN BY MDH	2015-04-16												
TOLERANCES ARE IN INCHES AND MILLIMETERS TOLERANCES UNLESS OTHERWISE STATED ARE:		CHECKED ABB	2015-04-17												
<table border="1"> <tr> <th>MILLIMETERS DECIMALS</th> <th>INCHES DECIMALS</th> <th>ANGLES</th> </tr> <tr> <td>XX. ± 1.0mm</td> <td>X.X ± 0.1</td> <td>± 0.5°</td> </tr> <tr> <td>XX.X ± 0.5mm</td> <td>X.XX ± 0.04</td> <td>FRACTIONS</td> </tr> <tr> <td></td> <td>X.XXX ± 0.02</td> <td>± 1/64</td> </tr> </table>		MILLIMETERS DECIMALS	INCHES DECIMALS		ANGLES	XX. ± 1.0mm	X.X ± 0.1	± 0.5°	XX.X ± 0.5mm	X.XX ± 0.04	FRACTIONS		X.XXX ± 0.02	± 1/64	MECH. ENG. JLA
MILLIMETERS DECIMALS	INCHES DECIMALS	ANGLES													
XX. ± 1.0mm	X.X ± 0.1	± 0.5°													
XX.X ± 0.5mm	X.XX ± 0.04	FRACTIONS													
	X.XXX ± 0.02	± 1/64													
		ELEC. ENG. JES	2015-05-07	<b>ALARM,SA,MULTI-FREQ,87-107dBA,12-24VDC</b> CUSTOMER PART NO. <b>EA9070</b> PRODUCT SERIES: <b>700</b>											
		TEST ENG. JRT	2015-05-05												
		SALES. DMV	2015-05-04												
NON DISCLOSURE AGREEMENT		SIZE: A	DWG. NO. EA9070	REV. B											
THIS DRAWING AND THE DESIGN IT DISCLOSES ARE THE PRIVATE PROPERTY OF ESG AND IS ISSUED IN CONFIDENCE FOR ENGINEERING INFORMATION ONLY. THE DRAWING AND / OR DESIGN MAY NOT BE USED, COPIED, REPRODUCED, OR OTHERWISE DISCLOSED IN PART OR AS A WHOLE TO OUTSIDERS OR USED FOR ANY OTHER PURPOSE WITHOUT THE PRIOR WRITTEN CONSENT OF ESG. THE DRAWING IS SUBJECT TO RECALL AT ANY TIME. YOUR POSSESSION OF THIS DOCUMENT CONSTITUTES ACCEPTANCE OF THESE TERMS. © 2013 ECCO		Electronically Controlled Use Latest Copy SHEET 1 OF 1 Project: P13014 Date Created: 2013-10-15													

