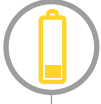


SLIMLINE PIR & MASTER PIR



Built in PIR sensor/switch; 30 second (TSTI) or 5 minute (TS) timer



Low power consumption; powers up to a 4.5A load



Slim, low profile design



Waterproof to IP67 available



E-type approved

SLIMLINE PIR (TSTI)



MASTER PIR (TS)



TECHNICAL SPECS OVERLEAF
SEPTEMBER 2016



DESIGNED FOR MULTI-SECTOR APPLICATIONS



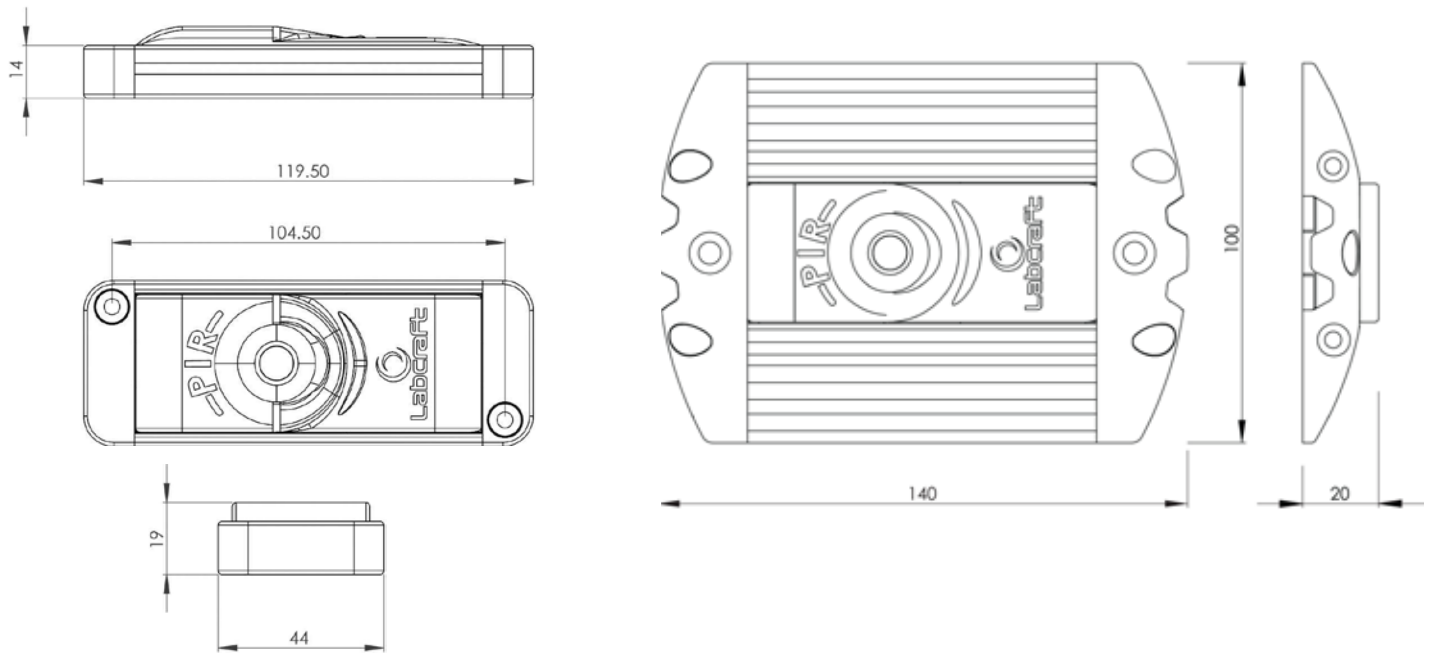
SLIMLINE PIR & MASTER PIR

Built in PIR sensor/switch - The electronics used within this unit have been designed to detect the movement of body heat in order to activate the sensor.

30 second or 5 minute timer - Once the sensor has been triggered, this timer unit will automatically switch the connected lamps on for a period of 30 seconds (TSTI) or 5 minutes (TS) before automatically switching off. If continuous movement is detected then the lights in the vehicle will remain on.

Low power consumption - The timer switch has been designed to use a minimal amount of power to prevent any unnecessary load on the battery, and to work effectively in conjunction with Labcraft lights. A series of lights with a maximum low current of 4.5A can be used in conjunction with each timer switch.

Slim, low profile design - These surface mounted units are only 19mm (TSTI) and 20mm (TS) in depth therefore keeping obstruction and damage to the minimum.



SPECIFICATION

ALL DIMENSIONS HAVE A TOLERANCE OF +/-1mm

		TSTI0.5PIR (12V)	TS5PIR (12V)	TS5PIR/2 (24V)
Voltage Range	VDC	10-15	10-15	20-28
Max Load Current	A	4.5A	4.5A	4.5A
Weight	kg	0.09	0.22	0.22
Temp. Range	°C	-30 to +40	-30 to +40	-30 to +40
Switch on time	min	0.5	5 - 7	5 - 7
Angle of sensor	°	88	88	88
Off-load Current	mA	40	40	40
IP Rating	IP	IP50	IP50 or IP67 (WP)	IP50 or IP67 (WP)

E & OE

