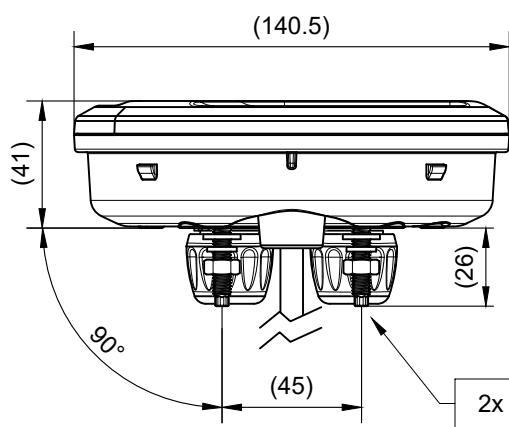
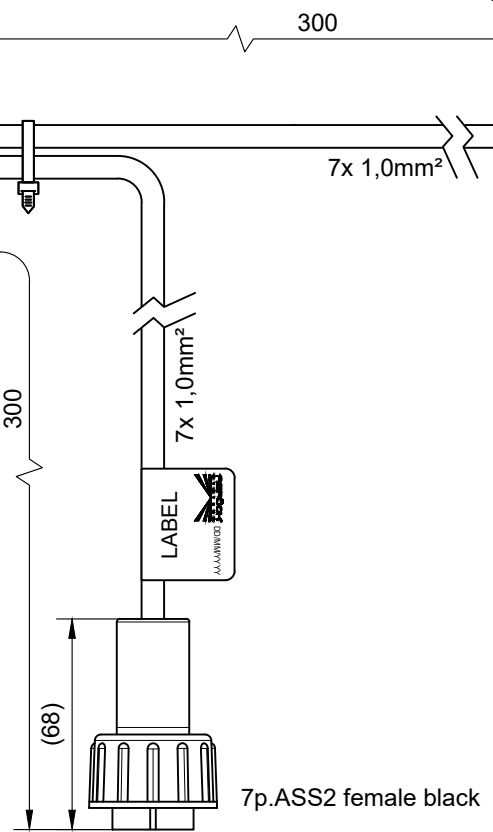
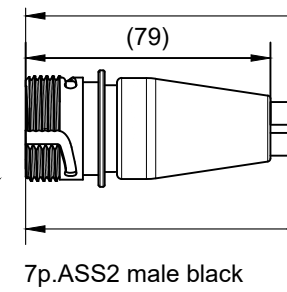
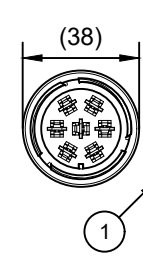
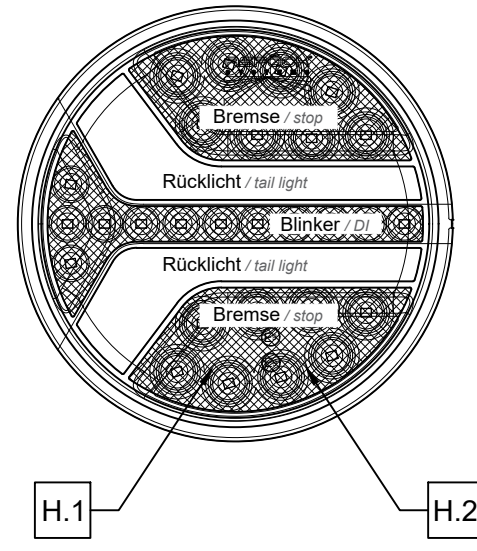


Level	Zone	ECI N°.	Revision note	Date	Designed	Checked



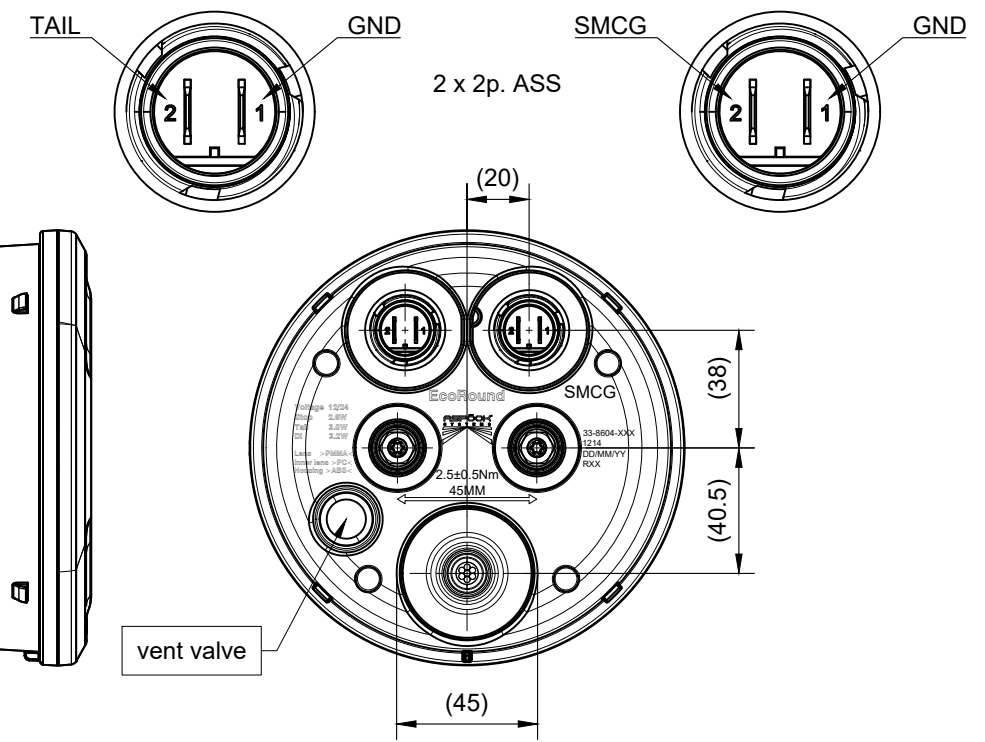
2x mounting screw
max. 2.5 ± 0.5Nm

CONNECTOR:			①
function	pin	wire colour	
Masse GND	1	weiss white	
Rücklicht RH Tail RH	2	braun brown	
Blinker DI	3	gelb yellow	
Bremse Stop	4	rot red	
Rückfahr. Reverse	5	grau grey	
Rücklicht LH Tail LH	6	schwarz black	
Nebelschl. Fog	7	blau blue	



CONNECTOR:			②
function	pin	wire colour	
Masse GND	1	weiss white	
Rücklicht LH Tail LH	2	schwarz black	
Blinker DI	3	gelb yellow	
Bremse Stop	4	rot red	
Rückfahr. Reverse	5	grau grey	
Rücklicht RH Tail RH	6	braun brown	
Nebelschl. Fog	7	blau blue	

Homologation description					
H.1	E9 16039	148R 00	R1	S1	2a
	E9 16040	148R 00	R1D	S1D	2aD
	E9 16041	148R 00	R1Y	S1Y	2aY
H.4	E9 23890	10R 06			



Electrical Specification				
Funktion Function	Nennspannung Nominal Voltage	Spannungsbereich Voltage Range	Nennstrom Nominal Current	Nennleistung Nominal Power
Volt (V)	Volt (V)	Volt (V)	Ampere (A)	Watt (W)
DI	12V / 24V	9V - 33V	0.27 / 0.13A	3.2W
Stop	12V / 24V	9V - 33V	0.22 / 0.11A	2.6W
Tail	12V / 24V	9V - 33V	0.25 / 0.13A	3.0W

CP_03-0_Bemaßungsrichtlinie () Auxiliary dimension DIN 406-10 () Theoretical dimension ISO 1101
 ○ Test dimension (SPC) [] Unfinished dimension DIN 406-10 ✓ Surface quality ISO 1302

Designed by Hager Cornelia 2024/02/05 Checked by Wetzlmaier Gerlinde 2024/02/08 Approved by Hinterberger Michael 2024/02/08

Part Number 33-8604-017

ASPOCK SYSTEMS

Designation EcoRound 3F 24VISO 7pASS+2pASS SMCG+TAIL
 Drawing Nr. 33860401
 Business Unit SALES - 24

Project number 1214
 Weight - Scale not in scale
 Level R01 Sheet 1 / 1

Dimensions in mm

Transmittal, reproduction, dissemination and/or editing of this document as well as utilization of its contents and communication thereof to others without express authorization are prohibited. Offenders will be held liable for payment of damages. All rights created by patent grant or registration of a utility model or design patent are reserved.