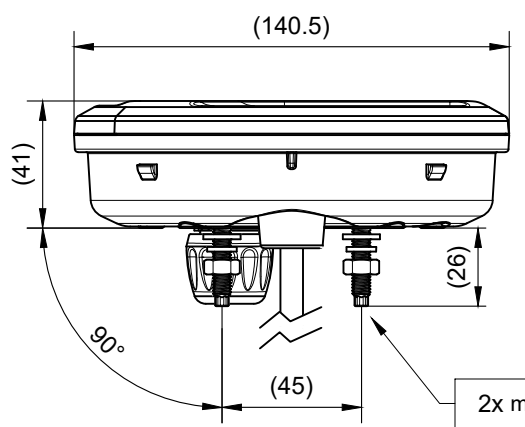
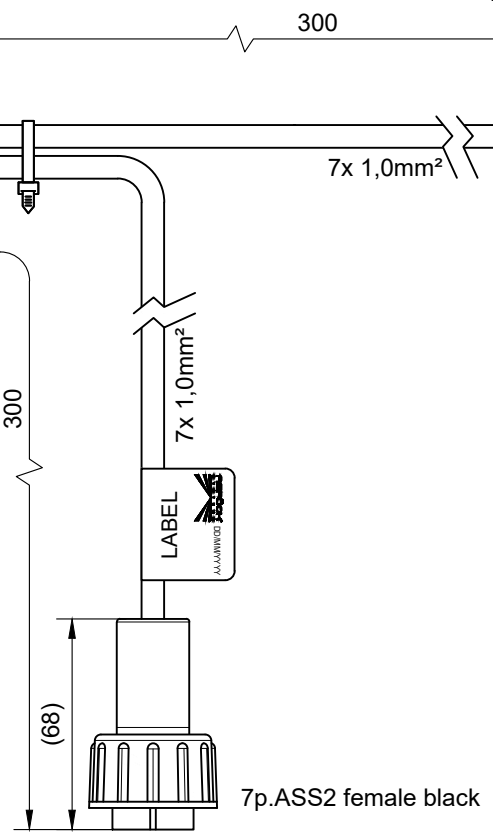
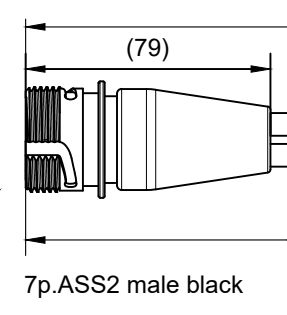
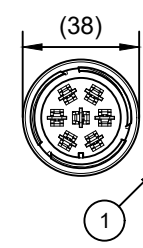
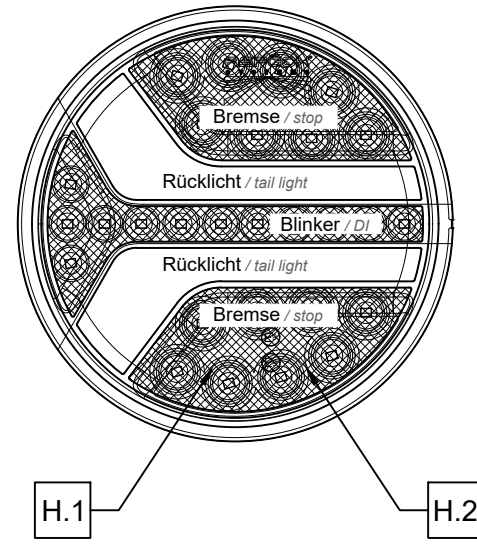


Level	Zone	ECI N°.	Revision note	Date	Designed	Checked



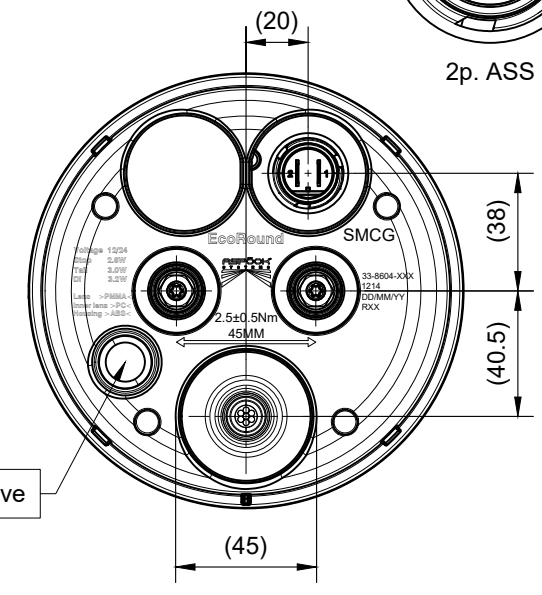
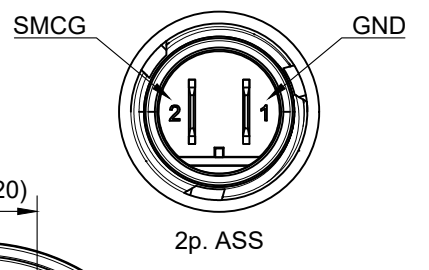
2x mounting screw  
max. 2.5 ± 0.5Nm

CONNECTOR:		①
function	pin	wire colour
Masse <i>GND</i>	1	weiss <i>white</i>
Rücklicht RH <i>Tail RH</i>	2	braun <i>brown</i>
Blinker <i>DI</i>	3	gelb <i>yellow</i>
Bremse <i>Stop</i>	4	rot <i>red</i>
Rückfahr. <i>Reverse</i>	5	grau <i>grey</i>
Rücklicht LH <i>Tail LH</i>	6	schwarz <i>black</i>
Nebelschl. <i>Fog</i>	7	blau <i>blue</i>



CONNECTOR:		②
function	pin	wire colour
Masse <i>GND</i>	1	weiss <i>white</i>
Rücklicht LH <i>Tail LH</i>	2	schwarz <i>black</i>
Blinker <i>DI</i>	3	gelb <i>yellow</i>
Bremse <i>Stop</i>	4	rot <i>red</i>
Rückfahr. <i>Reverse</i>	5	grau <i>grey</i>
Rücklicht RH <i>Tail RH</i>	6	braun <i>brown</i>
Nebelschl. <i>Fog</i>	7	blau <i>blue</i>

Homologation description					
H.1	E9 16039	148R 00	R1	S1	2a
	E9 16040	148R 00	R1D	S1D	2aD
	E9 16041	148R 00	R1Y	S1Y	2aY
H.4	E9 23890	10R 06			



Electrical Specification				
Funktion <i>Function</i>	Nennspannung <i>Nominal Voltage</i>	Spannungsbereich <i>Voltage Range</i>	Nennstrom <i>Nominal Current</i>	Nennleistung <i>Nominal Power</i>
Volt (V)	Volt (V)	Volt (V)	Ampere (A)	Watt (W)
DI	12V / 24V	9V - 33V	0.27 / 0.13A	3.2W
Stop	12V / 24V	9V - 33V	0.22 / 0.11A	2.6W
Tail	12V / 24V	9V - 33V	0.25 / 0.13A	3.0W

CP\_03-0\_Bemaßungsrichtlinie ( ) Auxiliary dimension DIN 406-10 ( ) Theoretical dimension ISO 1101  
 ○ Test dimension (SPC) [ ] Unfinished dimension DIN 406-10 ✓ Surface quality ISO 1302

Designed by Hager Cornelia 2024/02/05 Checked by Wetzlmaier Gerlinde 2024/02/08 Approved by Hinterberger Michael 2024/02/08

**ASPÖCK SYSTEMS** Designation: EcoRound 3F 24VISO 7pASS+2pASS SMCG  
 Drawing Nr. 33860400  
 Business Unit SALES - 24

Part Number: 33-8604-007

Dimensions in mm

Transmittal, reproduction, dissemination and/or editing of this document as well as utilization of its contents and communication thereof to others without express authorization are prohibited. Offenders will be held liable for payment of damages. All rights created by patent grant or registration of a utility model or design patent are reserved.

Project number: -  
 Tolerance: CP\_04-2\_Toleranzen Verkabelungsprodukte  
 Weight: - Scale: not in scale  
 Level: R01 Sheet: 1 / 1