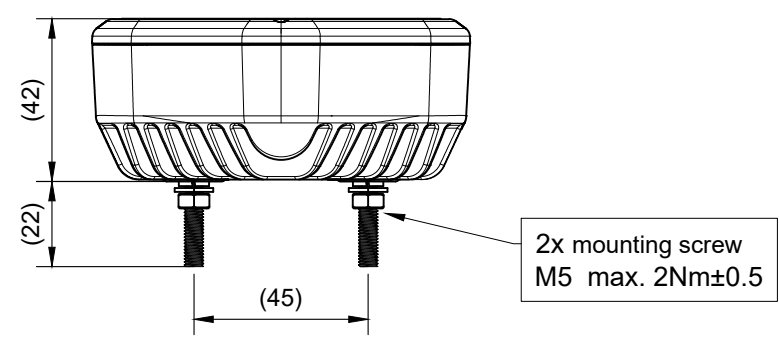
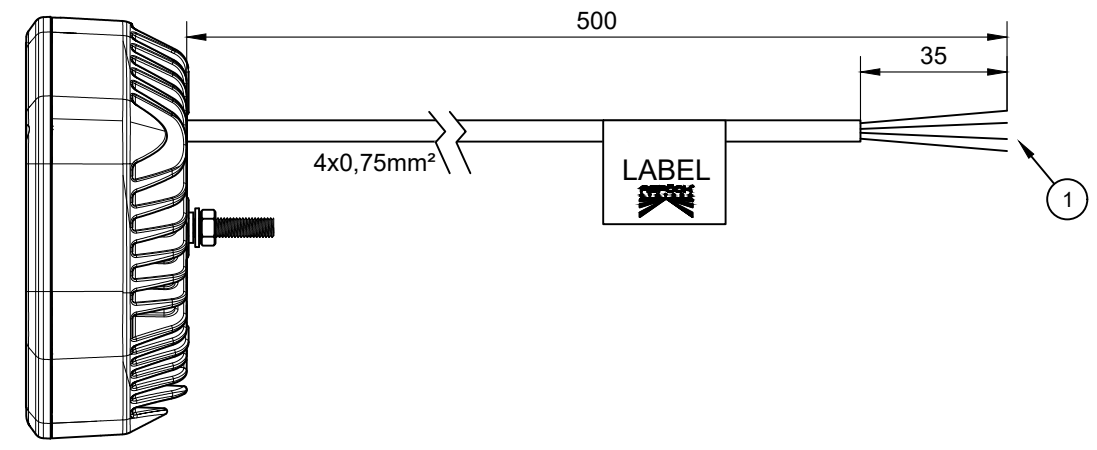
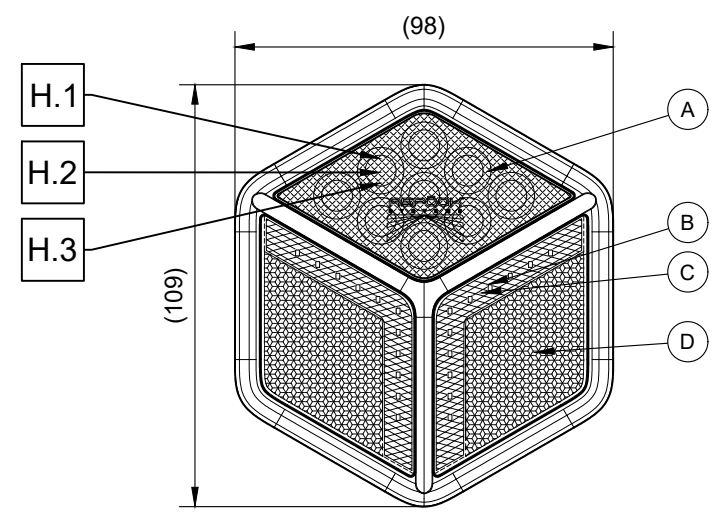


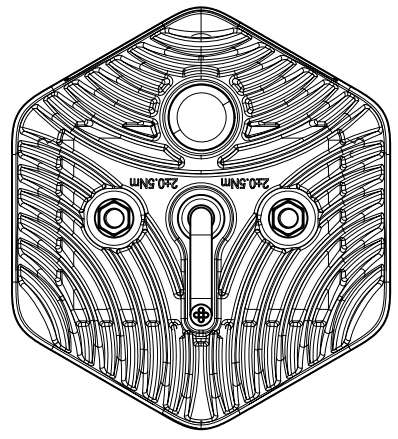
Level	Zone	ECI N°.	Revision note	Date	Designed	Checked



CONNECTOR:	①
function	wire colour
Blinker <i>DI</i>	gelb <i>yellow</i>
Masse <i>GND</i>	weiss <i>white</i>
Rücklicht <i>Tail</i>	schwarz <i>black</i>
Bremse <i>Stop</i>	rot <i>red</i>

FUNCTION:	
Blinker LED <i>DI LED</i>	A
Bremse LED <i>Stop LED</i>	B
Rücklicht LED <i>Tail LED</i>	C
Reflektierende Fläche <i>Reflex reflector</i>	D

Electrical Specification				
Funktion <i>Function</i>	Nennspannung <i>Nominal Voltage</i>	Spannungsbereich <i>Voltage Range</i>	Nennstrom <i>Nominal Current</i>	Nennleistung <i>Nominal Power</i>
Volt (V)	Volt (V)	Volt (V)	Ampere (A)	Watt (W)
Stop	12V	9V - 16V	0.24A	2.9W
Tail	12V	9V - 16V	0.03A	0.4W
DI	12V	9V - 16V	1.40A	16.8W



* gilt nur für Leuchteneinheit
only applies to lighting unit

Homologation description					
H.1	E9 6054	148R 00	R1	S1	2a
H.2	E9 IB	150R 00			
H.3	E9 23195	10R 06			

CP_03-0_Bemaßungsrichtlinie () Auxiliary dimension DIN 406-10 Theoretical dimension ISO 1101
 ○ Test dimension (SPC) [] Unfinished dimension DIN 406-10 Surface quality ISO 1302

Designed by Leidinger Sabine 2022/06/27 Checked by Strubreiter Daniel 2022/06/28 Approved by Hinterberger Michael 2022/07/05

DRAFT

33-7234-027 Designation: Miniled III 12V LCG cable
 Drawing Nr. 33723402
 Business Unit SALES - 12

Part Number: Dimensions in mm

Transmittal, reproduction, dissemination and/or editing of this document as well as utilization of its contents and communication thereof to others without express authorization are prohibited. Offenders will be held liable for payment of damages. All rights created by patent grant or registration of a utility model or design patent are reserved.

Project number: -
 Weight: - Scale: not in scale
 Level: R01 Sheet: 1 / 1

IP69K*