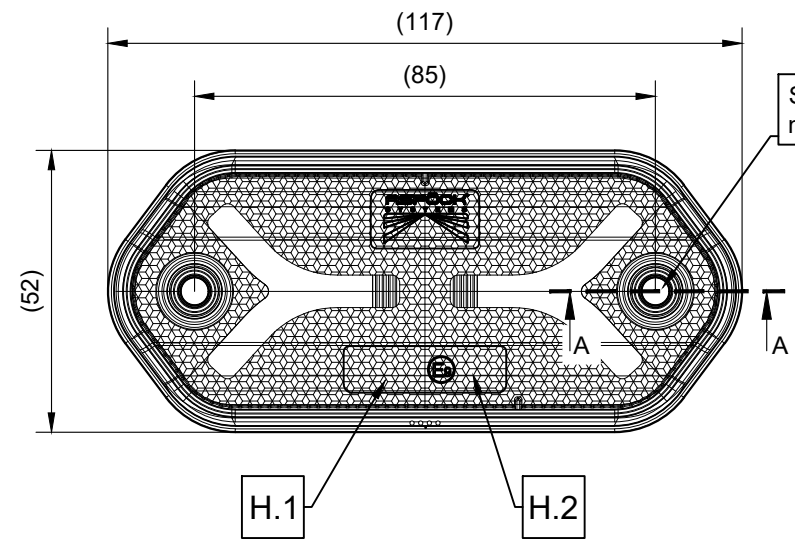
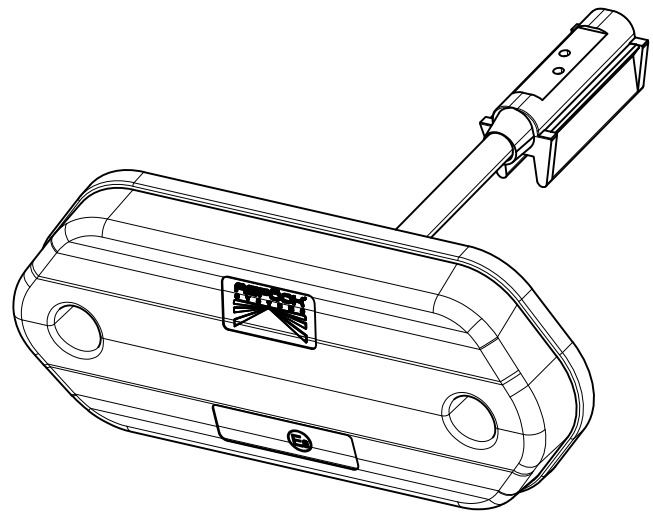
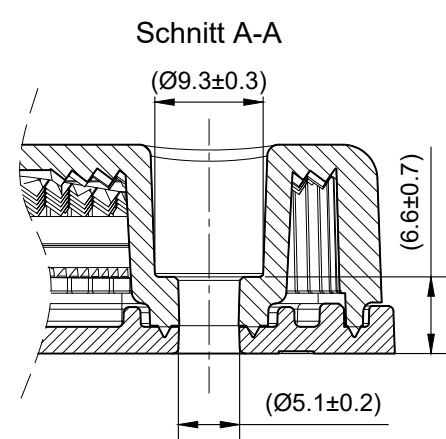
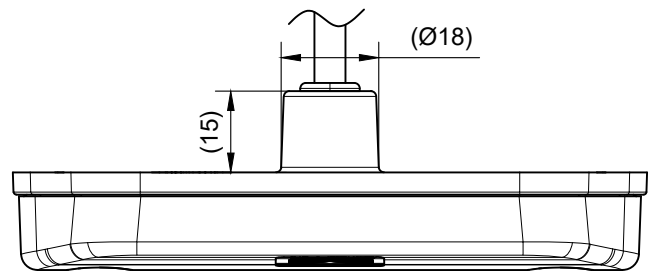
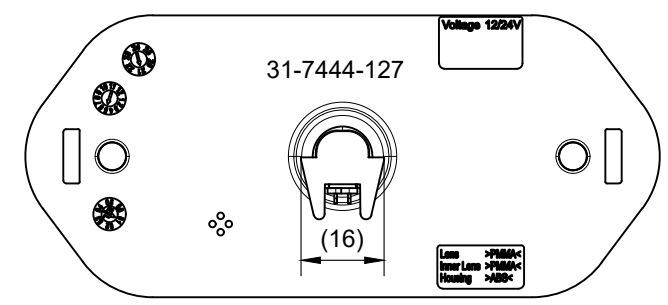
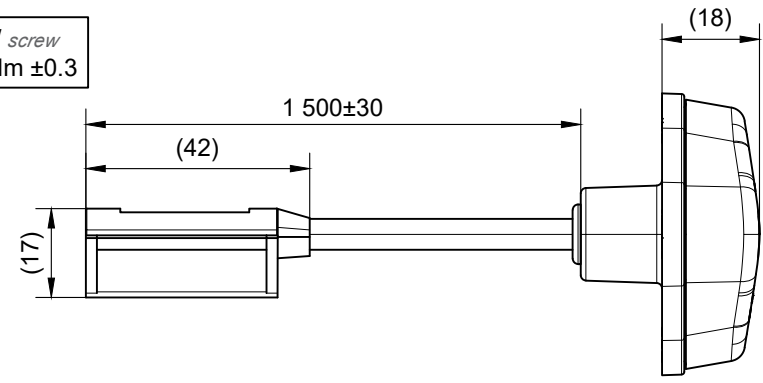


Level	Zone	ECI N°.	Revision note	Date	Designed	Checked
R02	02	19924	Titel geändert title changed	2023/07/11	Leiding. S	Lenzen. S



Schraube / screw
max. 1.5Nm ±0.3



CONNECTOR:	
function	pin
Masse GND	1
+VDC +VDC	2

Electrical Specification				
Funktion Function	Nennspannung Nominal Voltage	Spannungsbereich Voltage Range	Nennstrom Nominal Current	Nennleistung Nominal Power
Volt (V)	Volt (V)	Volt (V)	Ampere (A)	Watt (W)
Flatpoint IV - red	12V / 24V	10V - 30V	0.05A / 0.06A	0.63W / 1.37W

Homologation description				
H.1	E9 6063	148R 00	R1	
	E9 1071	158R 00	IB	
H.2	E9 23196	10R 06		



CP_03-0_Bemaßungsrichtlinie () Auxiliary dimension DIN 406-10 □ Theoretical dimension ISO 1101
 ○ Test dimension (SPC) [] Unfinished dimension DIN 406-10 √ Surface quality ISO 1302

Designed by Leiding Sabine 2023/04/19 Checked by Strubreiter Daniel 2023/04/20 Approved by Hinterberger Michael 2023/04/20

ASPOCK SYSTEMS Designation Flatpoint IV 1.5m P&R RED 02

Drawing Nr. 31744412 Tolerance CP_04-2_Toleranzen Verkabelungsprodukte

Business Unit SALES - 24 Weight - Scale not in scale

Level R02 Sheet 1 / 1

Part Number 31-7444-127

Dimensions in mm

Transmittal, reproduction, dissemination and/or editing of this document as well as utilization of its contents and communication there of to others without express authorization are prohibited. Offenders will be held liable for payment of damages. All rights created by patent grant or registration of a utility model or design patent are reserved.

ASPOCK Design Engineering APPROVED

Project number -