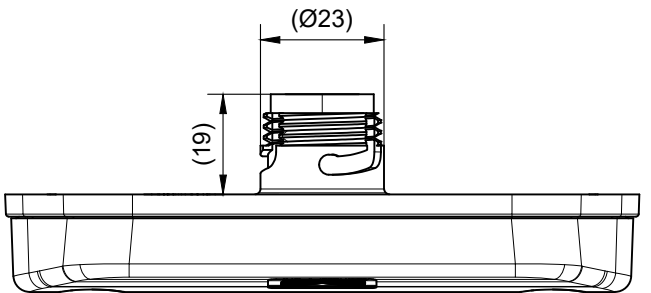
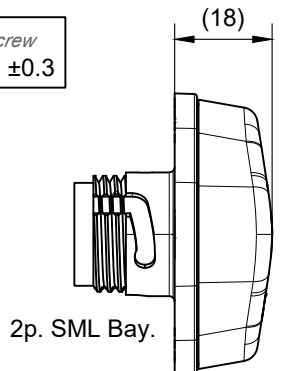
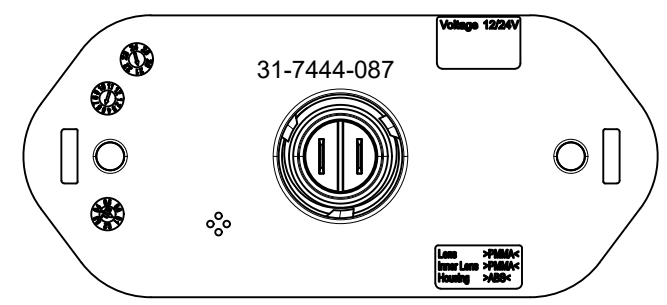
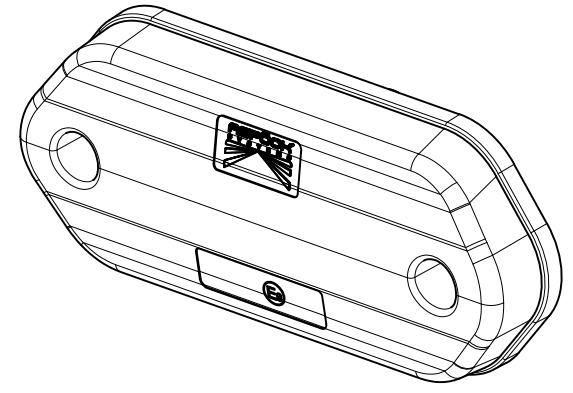
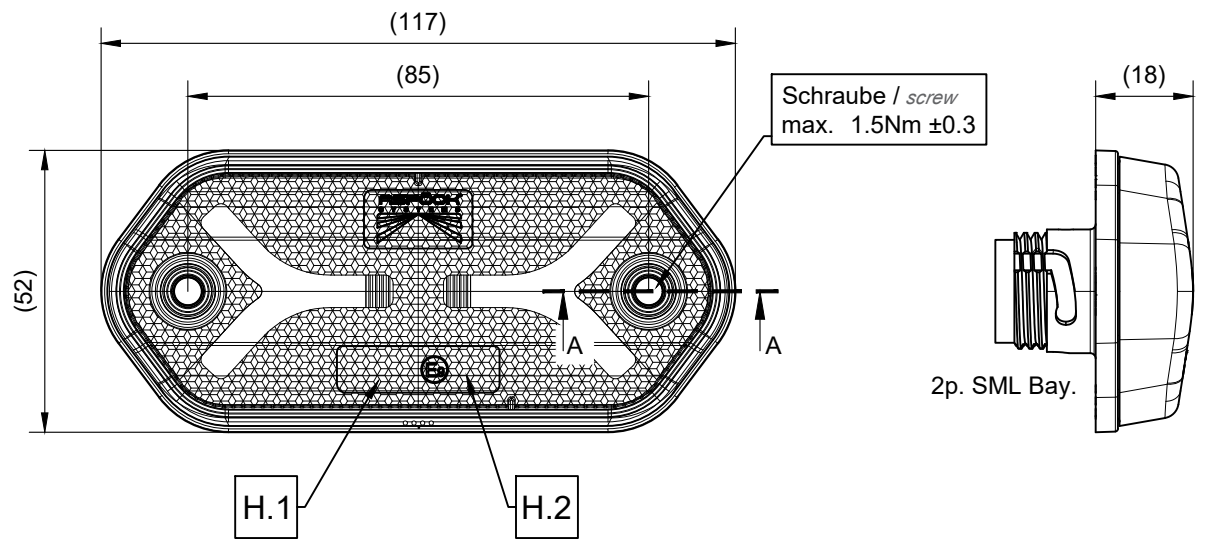
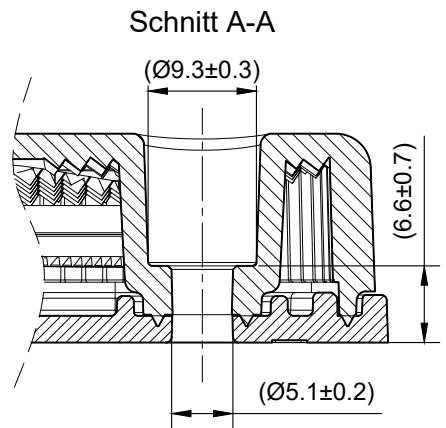


Level	Zone	ECI N°.	Revision note	Date	Designed	Checked
R02	02	19924	Titel geändert title changed	2023/07/11	Leiding. S	Lenzen. S



CONNECTOR:	
function	pin
Masse GND	1
+VDC	2

Electrical Specification				
Funktion Function	Nennspannung Nominal Voltage	Spannungsbereich Voltage Range	Nennstrom Nominal Current	Nennleistung Nominal Power
Volt (V)	Volt (V)	Volt (V)	Ampere (A)	Watt (W)
Flatpoint IV - white	12V / 24V	10V - 30V	0.04A / 0.05A	0.53W / 1.27W

Homologation description				
H.1	E9 6061	148R 00	A	
	E9 1071	158R 00	IB	
H.2	E9 23196	10R 06		



CP_03-0_Bemaßungsrichtlinie ( ) Auxiliary dimension DIN 406-10	Theoretical dimension ISO 1101		
Test dimension (SPC)	Unfinished dimension DIN 406-10		
Surface quality ISO 1302			
<b>Designed by</b> Leidinger Sabine 2023/04/19	<b>Checked by</b> Strubreiter Daniel 2023/04/20	<b>Approved by</b> Hinterberger Michael 2023/04/20	
<b>Designation</b> Flatpoint IV Bay. WHITE 02			
<b>Drawing Nr.</b> 31744408		<b>Tolerance</b> CP_04-2_Toleranzen Verkabelungsprodukte	
<b>Business Unit</b> SALES - 24		<b>Weight</b> -	<b>Scale</b> not in scale
<b>Dimensions</b> in mm		<b>Level</b> R02	<b>Sheet</b> 1 / 1