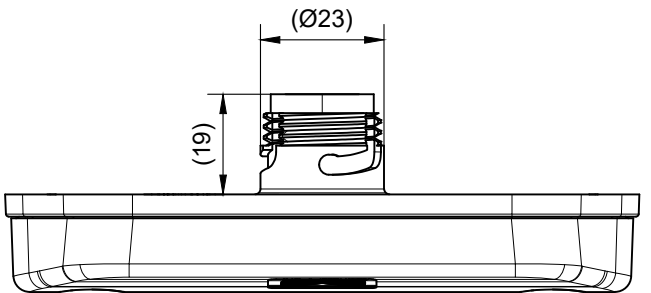
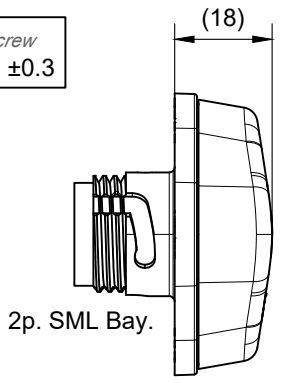
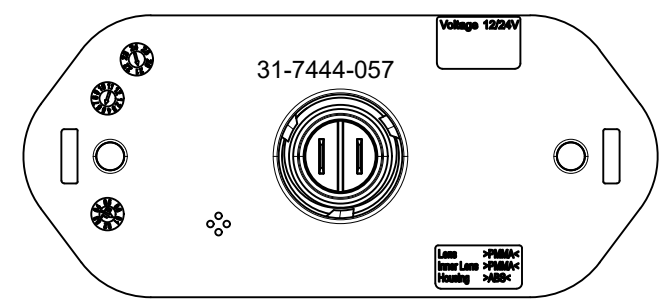
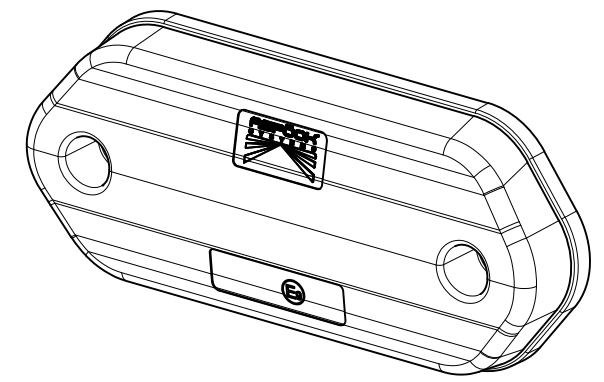
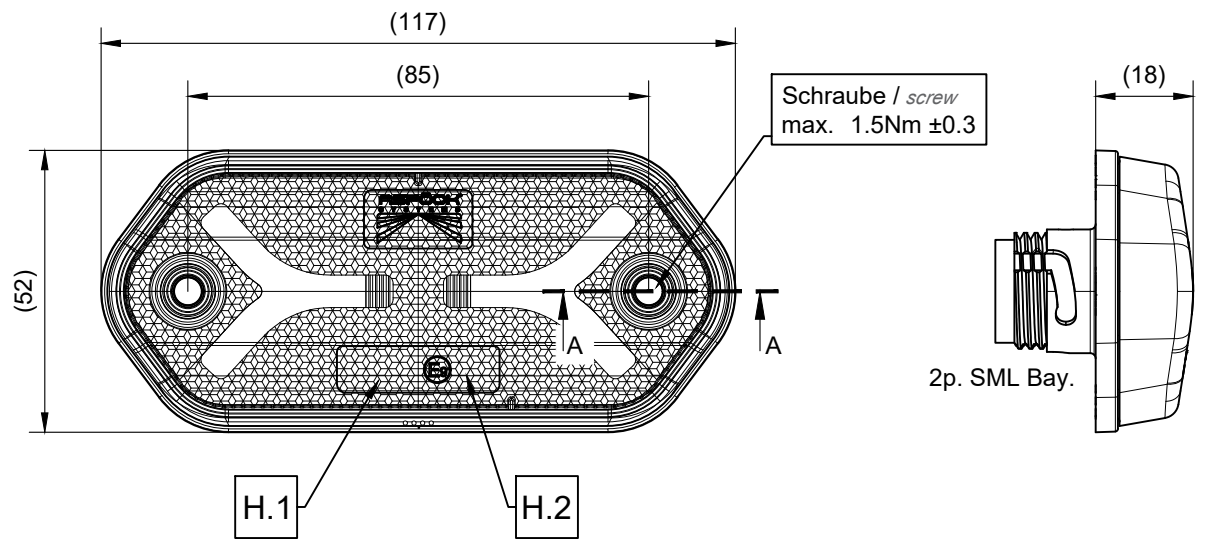
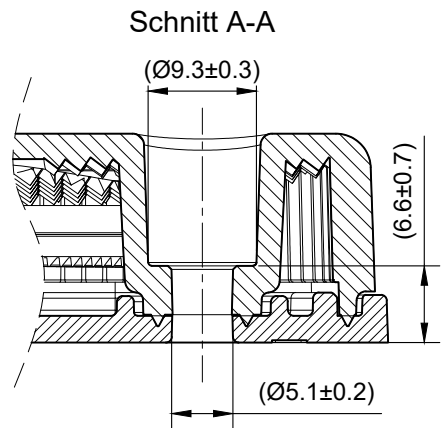


Level	Zone	ECI N°.	Revision note	Date	Designed	Checked
R02	02	19924	Titel geändert title changed	2023/07/11	Leiding. S	Lenzen. S



CONNECTOR:	
function	pin
Masse GND	1
+VDC	2

Electrical Specification				
Funktion Function	Nennspannung Nominal Voltage	Spannungsbereich Voltage Range	Nennstrom Nominal Current	Nennleistung Nominal Power
Volt (V)	Volt (V)	Volt (V)	Ampere (A)	Watt (W)
Flatpoint IV - amber	12V / 24V	10V - 30V	0.04A / 0.05A	0.53W / 1.27W

Homologation description				
H.1	E9 6062	148R 00	SM1	
	E9 1071	158R 00	IB	
H.2	E9 23196	10R 06		



CP\_03-0\_Bemaßungsrichtlinie ( ) Auxiliary dimension DIN 406-10     Theoretical dimension ISO 1101  
 Test dimension (SPC)    [ ] Unfinished dimension DIN 406-10     Surface quality ISO 1302

Designed by Leiding Sabine    2023/04/18    Checked by Strubreiter Daniel    2023/04/20    Approved by Hinterberger Michael    2023/04/20

**ASPOCK SYSTEMS** Designation Flatpoint IV Bay. SML    02    Project number -

Drawing Nr. 31744405    Tolerance CP\_04-2\_Toleranzen Verkabelungsprodukte    Weight -    Scale not in scale

Business Unit SALES - 24    Level R02    Sheet 1 / 1

Part Number 31-7444-057    Dimensions in mm    Transmittal, reproduction, dissemination and/or editing of this document as well as utilization of its contents and communication thereof to others without express authorization are prohibited. Offenders will be held liable for payment of damages. All rights created by patent grant or registration of a utility model or design patent are reserved.