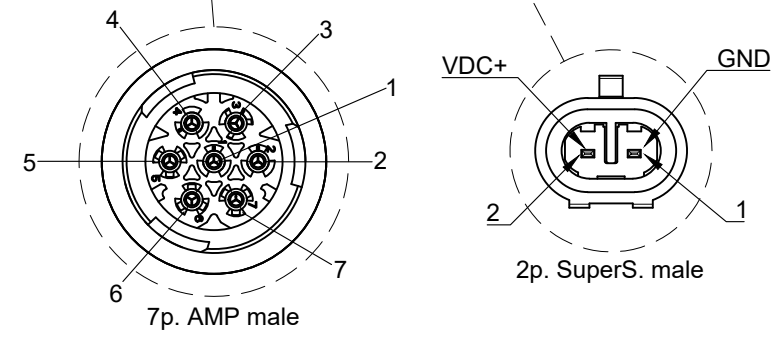
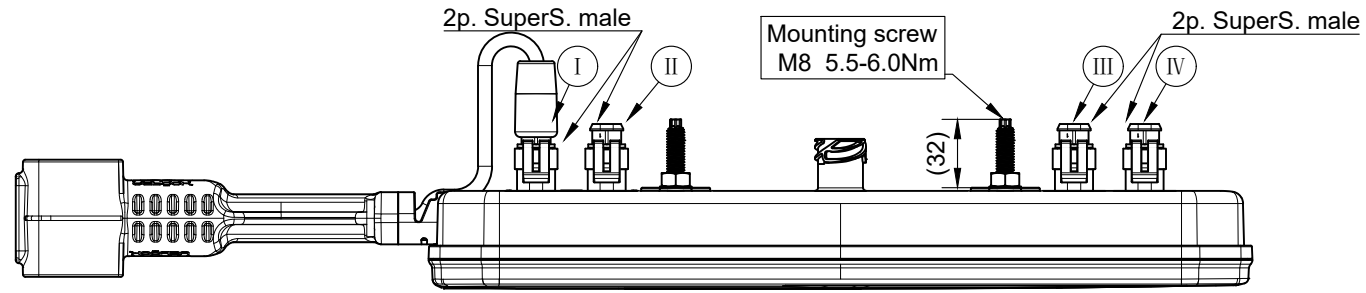
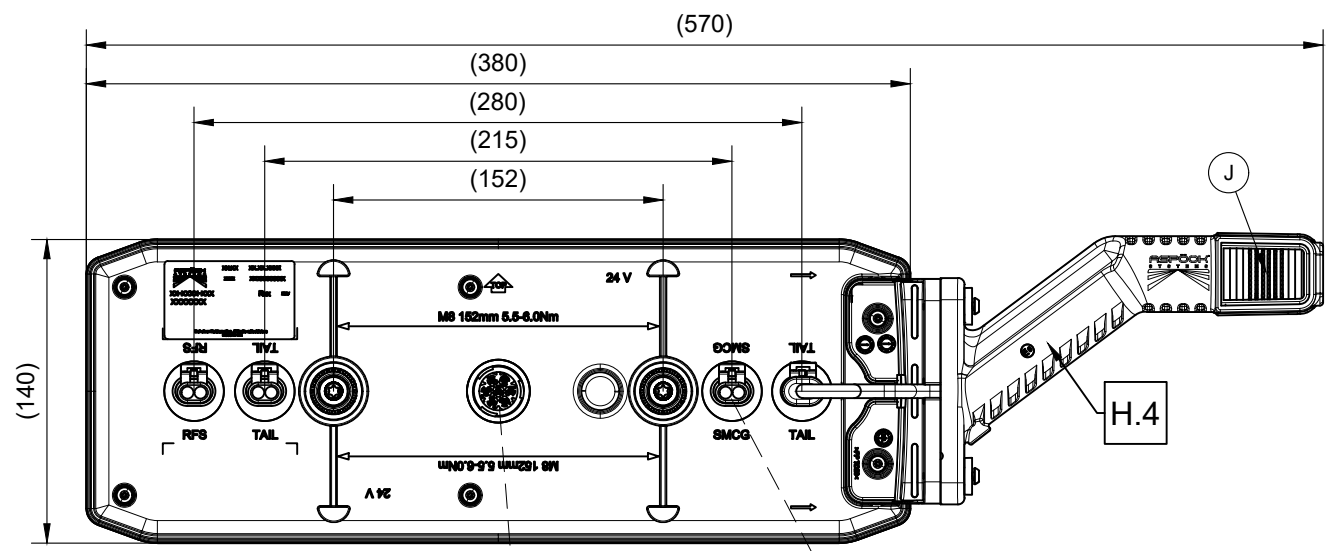
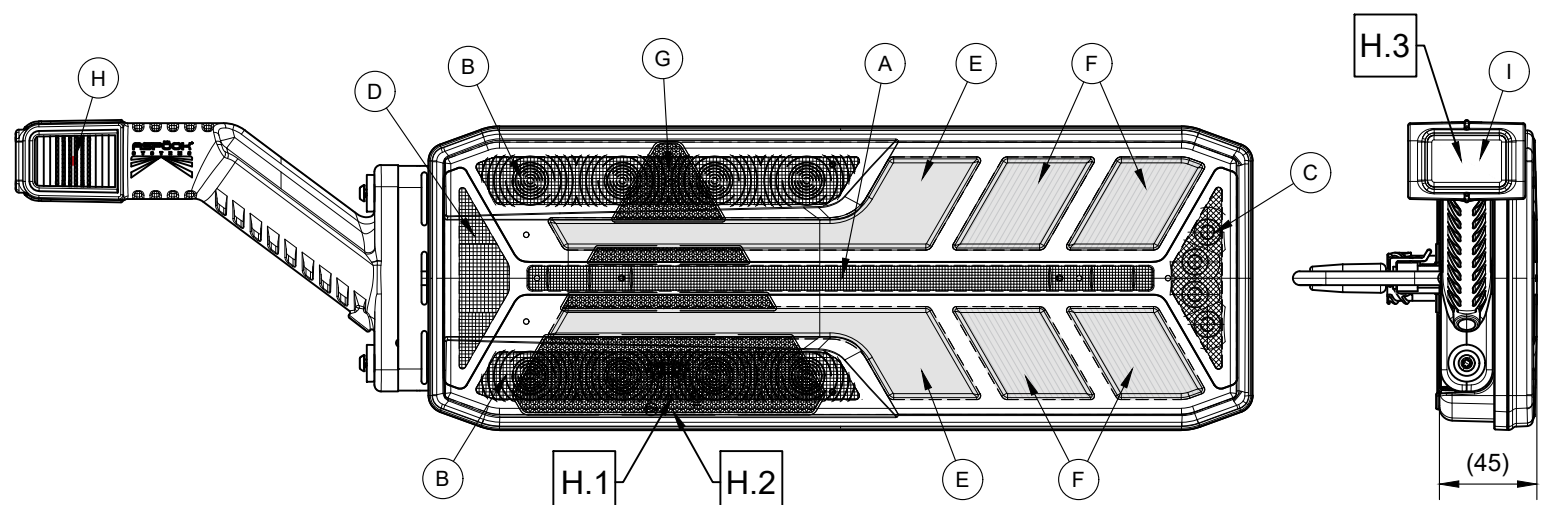
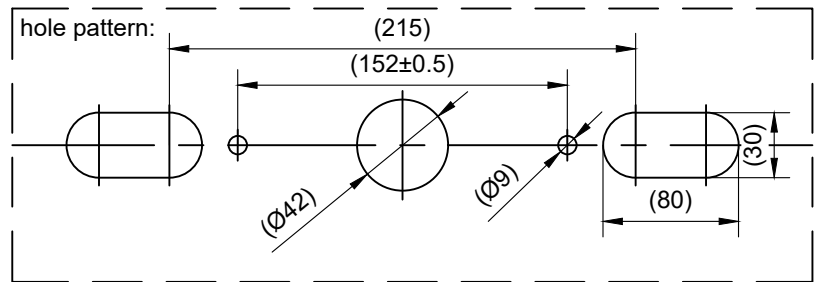


Level	Zone	ECI N°.	Revision note	Date	Designed	Checked



function	pin
Masse GND	1
Rücklicht LH Tail LH	2
Rückfahr. Reverse	3
Blinker LH DI LH	4
Bremse Stop	5
Nebelschl. Fog	6
Rücklicht RH Tail RH	7

Electrical Specification				
Funktion Function	Nennspannung Nominal Voltage	Spannungsbereich Voltage Range	Nennstrom Nominal Current	Nennleistung Nominal Power
Volt (V)	Volt (V)	Volt (V)	Ampere (A)	Watt (W)
DI	24V	18V - 33V	0.35A	8.3W
Stop	24V	18V - 33V	0.16A	3.8W
Reverse	24V	18V - 33V	0.11A	2.7W
Fog	24V	18V - 33V	0.17A	4.0W
Tail LH	24V	18V - 33V	0.15A	3.6W
Tail RH	24V	18V - 33V	0.10A	2.5W
End outline marker	24V	10V - 30V	0.12A	3.0W

Technische Daten zur SMCG/technical specification for SMCG:
 Spannungsbereich/voltage range: 18V - 33V
 Strombereich/current range: Ausgangsstrom/output current max. 1A
 Elektronisch Überspannungs- und Überstromgesichert/overcurrentprotected
 Thermische Stromabschaltung am Ausgang bei ca. 1,2A
 (Kurzschlussfest) Verpolungsschutz/thermal power cut-off at the output at approx. (shortcircuit proof) reserve polarity protection

FUNCTION:	
Blinker LH LED DI LH LED	A
Bremse LED Stop LED	B
Nebelschl. LED Fog LED	C
Rückfahr. LED Reverse LED	D
Rücklicht LH LED Tail LH LED	E
Rücklicht RH LED Tail RH LED	F
Reflektierendes Dreieck Reflex reflector triangle	G
Positionslicht rot (Umrissarm) Position light red (rubber arm) (Tail RH)	H
Seitenmarkierung rot (Umrissarm) Side marker red (rubber arm) (Tail RH)	I
Positionslicht weiss (Umrissarm) Position light white (rubber arm) (Tail RH)	J

Homologation description						
H.1	E9	148R	R1	S1	2a	F1
1928	150R	00	IIIA			
H.2	E9	10R				
3902	06					
H.3	E9	SM1	A	R1		
6878	00	02	02			
H.4	E9	10R				
6765	05					

FUNCTION:	
Rücklicht. RH Tail RH	I
SMCG Ausgang (Rückl. LH) SMCG out (Tail LH)	II
Rücklicht. LH Tail LH	III
Rückfahr. Reverse	IV

CP_03-0_Bemaßungsrichtlinie () Auxiliary dimension DIN 406-10 Theoretical dimension ISO 1101
 Test dimension (SPC) [] Unfinished dimension DIN 406-10 Surface quality ISO 1302

Designed by Leidinger Sabine 2022/08/31 Checked by Strubreiter Daniel 2022/09/.. Approved by Enzmüller Manuel 2022/09/..

ASPOCK SYSTEMS Designation EcoLED III LH AMP 7p. + 4x2p SMCG + EOL Project number -

Drawing Nr. 25412306 Business Unit SALES - 24 Tolerance CP_04-2_Toleranzen Verkabelungsprodukte Weight - Scale not in scale

Dimensions in mm Transmittal, reproduction, dissemination and/or editing of this document as well as utilization of its contents and communication thereof to others without express authorization are prohibited. Offenders will be held liable for payment of damages. All rights created by patent grant or registration of a utility model or design patent are reserved. Level R01 Sheet 1 / 1

