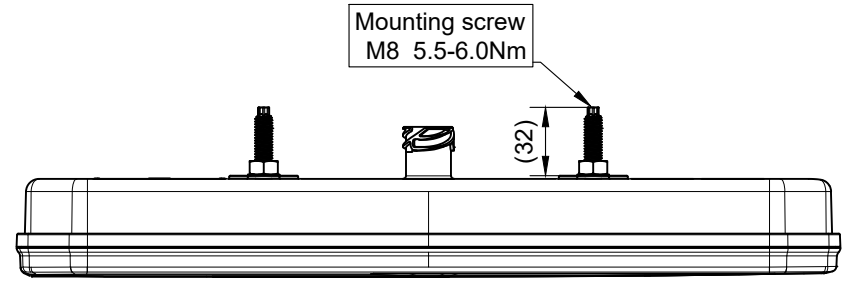
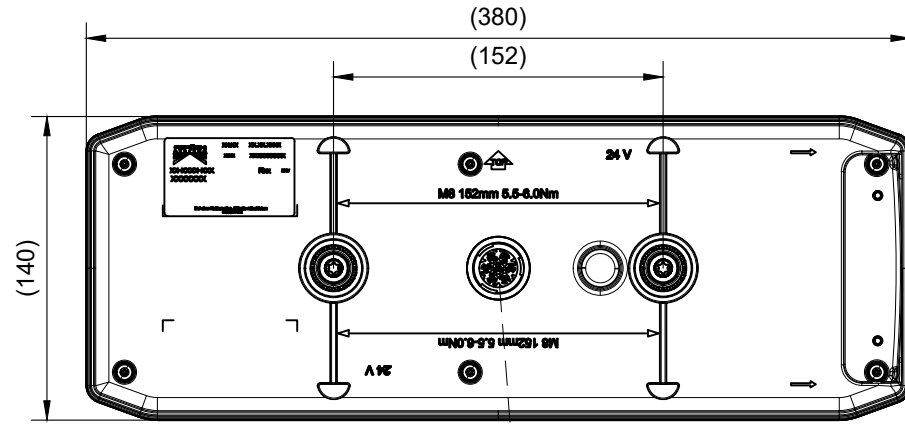
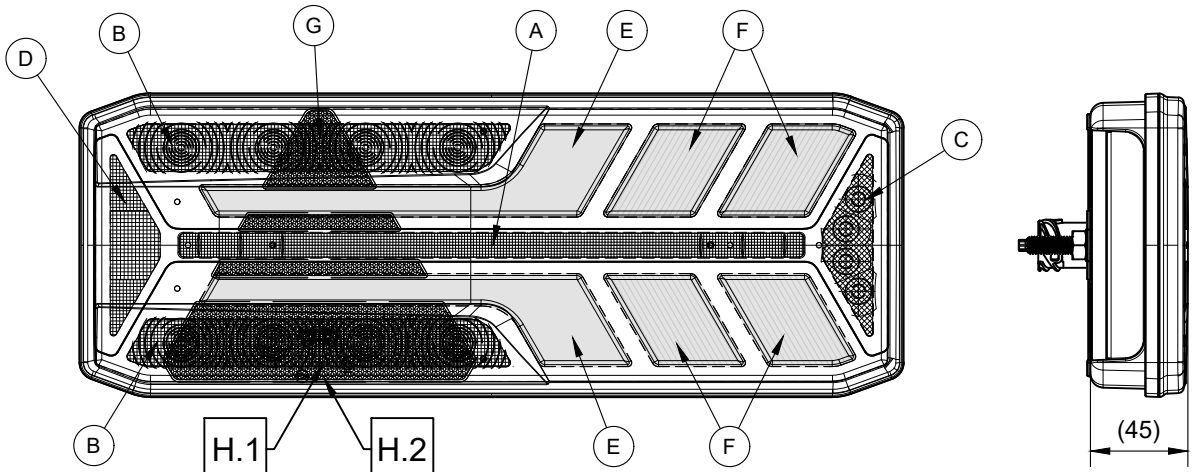
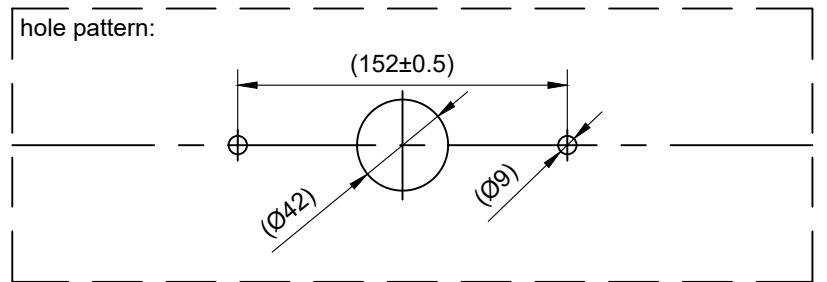
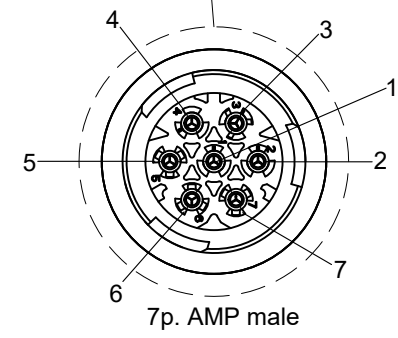


Level	Zone	ECI N°.	Revision note	Date	Designed	Checked



function	pin
Masse GND	1
Rücklicht LH Tail LH	2
Rückfahr. Reverse	3
Blinker LH DI LH	4
Bremse Stop	5
Nebelschl. Fog	6
Rücklicht RH Tail RH	7



Electrical Specification				
Funktion Function	Nennspannung Nominal Voltage	Spannungsbereich Voltage Range	Nennstrom Nominal Current	Nennleistung Nominal Power
Volt (V)	Volt (V)	Volt (V)	Ampere (A)	Watt (W)
DI	24V	18V - 33V	0.35A	8.3W
Stop	24V	18V - 33V	0.16A	3.8W
Reverse	24V	18V - 33V	0.11A	2.7W
Fog	24V	18V - 33V	0.17A	4.0W
Tail LH	24V	18V - 33V	0.15A	3.6W
Tail RH	24V	18V - 33V	0.10A	2.5W

FUNCTION:	
Blinker LH LED DI LH LED	A
Bremse LED Stop LED	B
Nebelschl. LED Fog LED	C
Rückfahr. LED Reverse LED	D
Rücklicht LH LED Tail LH LED	E
Rücklicht RH LED Tail RH LED	F
Reflektierendes Dreieck Reflex reflector triangle	G

Homologation description							
H.1	E9 1928	148R 00	R1	S1	2a	AR	F1
H.2	E9 3902	150R 00	IIIA				

CP\_03-0\_Bemaßungsrichtlinie ( ) Auxiliary dimension DIN 406-10  Theoretical dimension ISO 1101  
 Test dimension (SPC) [ ] Unfinished dimension DIN 406-10  Surface quality ISO 1302

Designed by Leidinger Sabine 2022/08/31 Checked by Strubreiter Daniel 2022/09/.. Approved by Enzlmüller Manuel 2022/09/..

**ASPOCK SYSTEMS** Designation EcoLED III LH AMP 7p. Project number -

Drawing Nr. 25412304 Business Unit SALES - 24 Tolerance CP\_04-2\_Toleranzen Verkabelungsprodukte Weight - Scale not in scale

Part Number 25-4123-047 Dimensions in mm Transmittal, reproduction, dissemination and/or editing of this document as well as utilization of its contents and communication thereof to others without express authorization are prohibited. Offenders will be held liable for payment of damages. All rights created by patent grant or registration of a utility model or design patent are reserved. Level R01 Sheet 1 / 1

