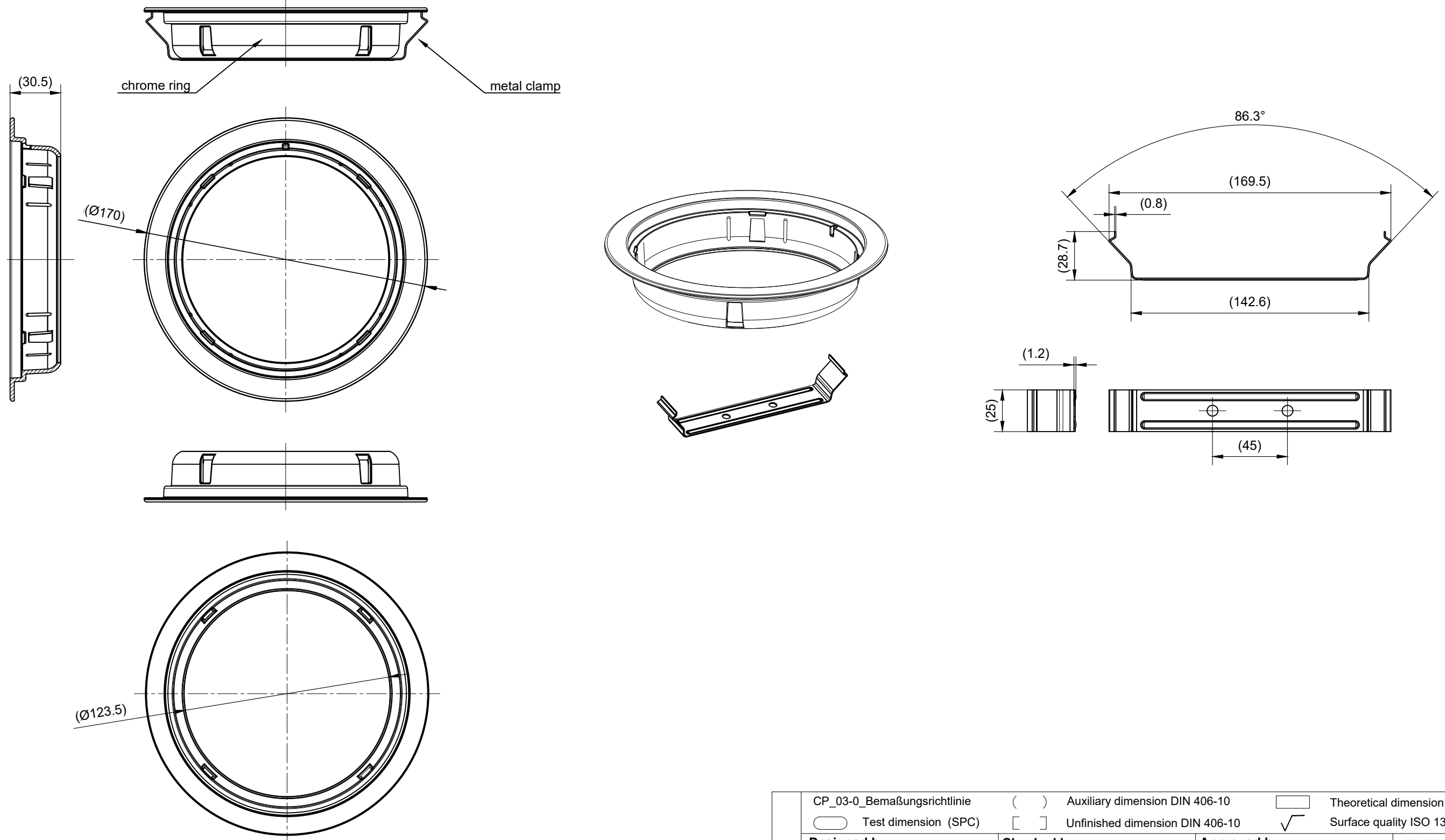


Level	Zone	ECI N°.	Revision note	Date	Designed	Checked

A
B
C
D
E
F

A
B
C
D
E
F



CP_03-0_Bemaßungsrichtlinie ()	Auxiliary dimension DIN 406-10		Theoretical dimension ISO 1101
Test dimension (SPC)	Unfinished dimension DIN 406-10		Surface quality ISO 1302
Designed by Hager Cornelia	Checked by Wetzlmaier Gerlinde	Approved by Hinterberger Michael	Project number -
2024/02/12	2024/02/12	2024/02/14	
 Designation EcoRound Chrome Ring incl. Metal clamp Drawing Nr. 14430055 Business Unit SALES - 24	Tolerance CP_04-2_Toleranzen Verkabelungsprodukte	Weight -	Scale not in scale
	Level R01	Sheet 1 / 1	
Part Number 14-4300-557	Dimensions in mm	Transmittal, reproduction, dissemination and/or editing of this document as well as utilization of its contents and communication there of to others without express authorization are prohibited. Offenders will be held liable for payment of damages. All rights created by patent grant or registration of a utility model or design patent are reserved.	