

It's your choice!



ECO *Line*
with **515** Premium tools

or



RACING *Line*

with **515** Premium tools

ECO *Line*



ECOLine black/red
Workshop trolley with 7 drawers



Lockable trough built-in cylinder lock



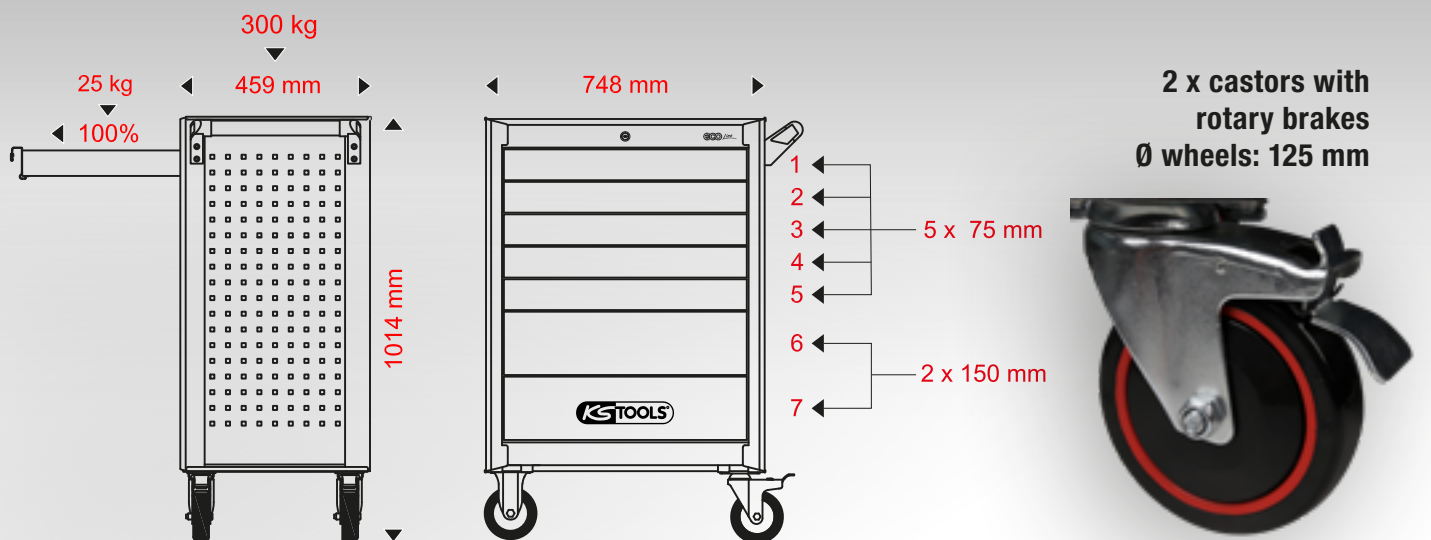
Square perforation for accessories



With self-closing and SOFT-CLOSE function



Worktop with 10 mm thick foam insert



RACING *Line*



RACINGline black/red
Workshop trolley with 7 drawers



Lockable trough built-in cylinder lock



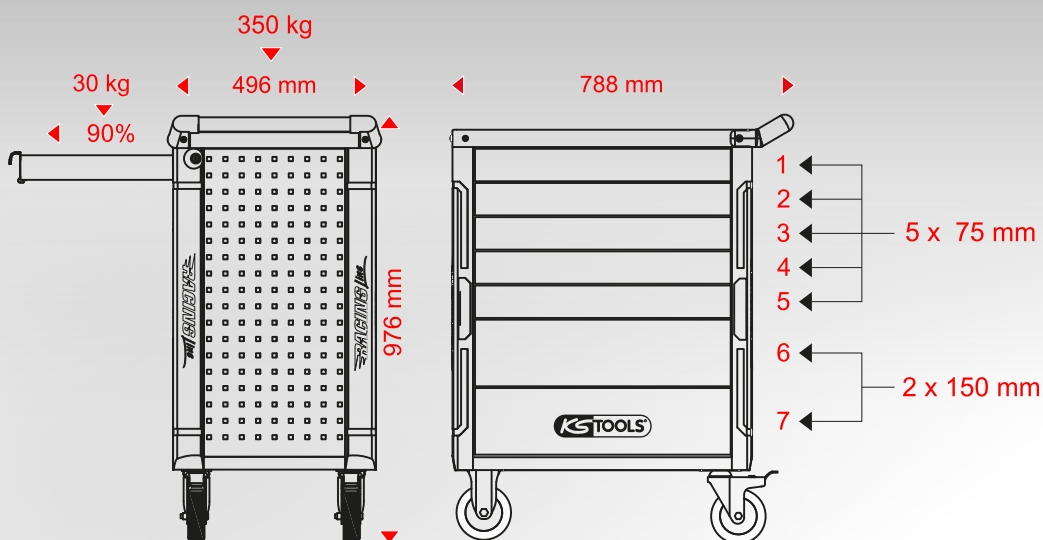
Square perforation for accessories



Individual locking prevents unintentional opening



ABS Worktop with compartments for small parts



2 x castors with rotary brakes
Ø wheels: 125 mm



911.2008

1/4" Bit set, 208 pcs



AMT	ITEM NO.	DESCRIPTION
1 x	122.2151	1/4" drive socket, 4 mm
1 x	122.2152	1/4" drive socket, 5 mm
1 x	122.2153	1/4" drive socket, 6 mm
1 x	122.2154	1/4" drive socket, 7 mm
1 x	122.2155	1/4" drive socket, 8 mm
1 x	122.2156	1/4" drive socket, 9 mm
1 x	122.2157	1/4" drive socket, 10 mm
1 x	122.2158	1/4" drive socket, 11 mm
1 x	122.2159	1/4" drive socket, 12 mm
1 x	122.2160	1/4" drive socket, 13 mm
1 x	122.2161	1/4" drive socket, 5/32"
1 x	122.2162	1/4" drive socket, 3/16"
1 x	122.2163	1/4" drive socket, 7/32"
1 x	122.2164	1/4" drive socket, 1/4"
1 x	122.2165	1/4" drive socket, 9/32"
1 x	122.2166	1/4" drive socket, 5/16"
1 x	122.2167	1/4" drive socket, 11/32"
1 x	122.2168	1/4" drive socket, 3/8"
1 x	122.2169	1/4" drive socket, 7/16"
1 x	122.2170	1/4" drive socket, 1/2"

AMT	ITEM NO.	DESCRIPTION
1 x	159.1198	ERGOTORQUEplus 1/4" bit screwdriver 205 mm
1 x	514.1102	Bit holder, magnetic, 1/4", 50 mm
1 x	911.1198	1/4" ERGOTORQUE Bit screwdriver, 200 mm
1 x	911.1452	Square drive adaptor, for bit ratchet 1/4"
5 x	911.2201	1/4" Bit PH, 25 mm, PH1
5 x	911.2204	1/4" Bit PH, 25 mm, PH2
5 x	911.2207	1/4" Bit PH, 25 mm, PH3
1 x	911.2210	1/4" Bit PH, 50 mm, PH1
1 x	911.2213	1/4" Bit PH, 50 mm, PH2
1 x	911.2216	1/4" Bit PH, 50 mm, PH3
5 x	911.2219	1/4" Bit PZ, 25 mm, PZ1
5 x	911.2222	1/4" Bit PZ, 25 mm, PZ2
4 x	911.2225	1/4" Bit PZ, 25 mm, PZ3
1 x	911.2228	1/4" Bit PZ, 50 mm, PZ1
1 x	911.2231	1/4" Bit PZ, 50 mm, PZ2
1 x	911.2234	1/4" Bit PZ, 50 mm, PZ3
1 x	911.2237	1/4" Bit slot, 25 mm, 4 mm
1 x	911.2240	1/4" Bit slot, 25 mm, 4,5 mm

AMT	ITEM NO.	DESCRIPTION
1 x	911.2243	1/4" Bit slot, 25 mm, 5,5 mm
1 x	911.2246	1/4" Bit slot, 25 mm, 6 mm
1 x	911.2249	1/4" Bit slot, 25 mm, 6,5 mm
1 x	911.2252	1/4" Bit slot, 25 mm, 8 mm
1 x	911.2255	1/4" Bit hexagon, 25 mm, 3 mm
1 x	911.2258	1/4" Bit hexagon, 25 mm, 4 mm
1 x	911.2261	1/4" Bit hexagon, 25 mm, 5 mm
1 x	911.2264	1/4" Bit hexagon, 25 mm, 6 mm
1 x	911.2270	1/4" Bit hexagon 8 mm, 25 mm, S2
1 x	911.2273	1/4" Bit Torx tamperproof, 25 mm, TB7
1 x	911.2276	1/4" Bit Torx tamperproof, 25 mm, TB8
1 x	911.2279	1/4" Bit Torx tamperproof, 25 mm, TB9
1 x	911.2282	1/4" Bit Torx tamperproof, 25 mm, TB10
1 x	911.2285	1/4" Bit Torx tamperproof, 25 mm, TB15
1 x	911.2288	1/4" Bit Torx tamperproof, 25 mm, TB20
1 x	911.2291	1/4" Bit Torx tamperproof, 25 mm, TB25
1 x	911.2294	1/4" Bit Torx tamperproof, 25 mm, TB27
1 x	911.2297	1/4" Bit Torx tamperproof, 25 mm, TB30
1 x	911.2300	1/4" Bit Torx tamperproof, 25 mm, TB40
1 x	911.2303	1/4" Bit Torx, 25 mm, T7

911.2008

1/4" Bit set, 208 pcs

AMT	ITEM NO.	DESCRIPTION
1 x	911.2306	1/4" Bit Torx, 25 mm, T8
1 x	911.2309	1/4" Bit Torx, 25 mm, T9
1 x	911.2312	1/4" Bit Torx, 25 mm, T10
1 x	911.2315	1/4" Bit Torx, 25 mm, T15
1 x	911.2318	1/4" Bit Torx, 25 mm, T20
1 x	911.2321	1/4" Bit Torx, 25 mm, T25
1 x	911.2324	1/4" Bit Torx, 25 mm, T27
1 x	911.2327	1/4" Bit Torx, 25 mm, T30
1 x	911.2330	1/4" Bit Torx, 25 mm, T40
1 x	911.2344	1/4" Bit spline XZN, 25 mm, M5
1 x	911.2347	1/4" Bit spline XZN, 25 mm, M6
1 x	911.2350	1/4" Bit spline XZN, 25 mm, M8
1 x	911.2359	1/4" Bit slot 7 mm, 25 mm, S2
1 x	911.2362	1/4" Bit hexagon 5,5 mm, 25 mm, S2
1 x	911.2368	1/4" Bit Torx, 25 mm, T35
1 x	911.2371	1/4" Bit Torx, 25 mm, T45
1 x	911.2377	1/4" Bit hexagon 2 mm, 25 mm
1 x	911.2383	1/4" Bit hexagon 1,5 mm, 25 mm, S2
1 x	911.2386	1/4" Bit hexagon 2,5 mm, 25 mm
1 x	911.2389	1/4" Bit slot 3 mm, 25 mm, S2
1 x	911.2392	1/4" Bit slot 5 mm, 25 mm, S2
1 x	911.2561	1/4" Bit Torx, 25 mm, T5
1 x	911.2562	1/4" Bit Torx, 25 mm, T6
1 x	911.2563	1/4" Bit Torx, 25 mm, T45
1 x	911.2564	1/4" Bit hexagon 3,5 mm, 25 mm, S2
1 x	911.2565	1/4" Bit hexagon 4,5 mm, 25 mm, S2
1 x	911.2566	1/4" Bit hexagon 7 mm, 25 mm, S2
1 x	911.2567	1/4" Bit slot, 25 mm, 2 mm
1 x	911.2568	1/4" Bit slot, 25 mm, 2,5 mm
1 x	911.2569	1/4" Bit slot, 25 mm, 3,5 mm
1 x	911.2570	1/4" Bit for security screws, 50 mm, 4 mm
1 x	911.2571	1/4" Bit for security screws, 50 mm, 6 mm
1 x	911.2572	1/4" Bit for security screws, 50 mm, 8 mm
1 x	911.2573	1/4" Bit for security screws, 50 mm, 10 mm
1 x	911.2574	1/4" Bit Torq-Set®, 50 mm, #6
1 x	911.2575	1/4" Bit Torq-Set®, 50 mm, #8
1 x	911.2576	1/4" Bit Torq-Set®, 50 mm, #10
1 x	911.2577	1/4" Bit TRIWING, 50 mm, #1
1 x	911.2578	1/4" Bit TRIWING, 50 mm, #2
1 x	911.2579	1/4" Bit TRIWING, 50 mm, #3
1 x	911.2580	1/4" Bit TRIWING, 50 mm, #4
1 x	911.2581	1/4" Bit PH, 25 mm, PH4
1 x	911.2582	1/4" Bit PZ, 25 mm, PZ4
1 x	911.2779	1/4" Bit Torx tamperproof, 50 mm, TB10
1 x	911.2782	1/4" Bit Torx tamperproof, 50 mm, TB15
1 x	911.2785	1/4" Bit Torx tamperproof, 50 mm, TB20
1 x	911.2788	1/4" Bit Torx tamperproof, 50 mm, TB25
1 x	911.2791	1/4" Bit Torx tamperproof, 50 mm, TB27
1 x	911.2794	1/4" Bit Torx tamperproof, 50 mm, TB30

AMT	ITEM NO.	DESCRIPTION
1 x	911.2797	1/4" Bit Torx tamperproof, 50 mm, TB40
1 x	911.2806	1/4" Bit hexagon, 50 mm, 2,5 mm
1 x	911.2809	1/4" Bit hexagon, 50 mm, 3 mm
1 x	911.2812	1/4" Bit hexagon, 50 mm, 4 mm
1 x	911.2815	1/4" Bit hexagon, 50 mm, 5 mm
1 x	911.2821	1/4" Bit hexagon, 50 mm, 6 mm
1 x	911.2901	1/4" Bit Torq-Set®, 25 mm, #6
1 x	911.2904	1/4" Bit Torq-Set®, 25 mm, #8
1 x	911.2907	1/4" Bit Torq-Set®, 25 mm, #10
1 x	911.2910	1/4" Bit for security screws, 4 mm
1 x	911.2913	1/4" Bit for security screws, 6 mm
1 x	911.2916	1/4" Bit for security screws, 8 mm
1 x	911.2919	1/4" Bit for security screws, 10 mm
1 x	911.2922	1/4" Bit TRIWING, 25 mm, #4
1 x	911.2925	1/4" Bit TRIWING, 25 mm, #6
1 x	911.2928	1/4" Bit TRIWING, 25 mm, #8
1 x	911.2931	1/4" Bit TRIWING, 25 mm, #10
1 x	911.2934	1/4" Bit hexagon tamperproof, 25 mm, 2 mm
1 x	911.2937	1/4" Bit hexagon tamperproof, 25 mm, 2,5 mm
1 x	911.2940	1/4" Bit hexagon tamperproof, 25 mm, 3 mm
1 x	911.2943	1/4" Bit hexagon tamperproof, 25 mm, 4 mm
1 x	911.2946	1/4" Bit hexagon tamperproof, 25 mm, 5 mm
1 x	911.2949	1/4" Bit hexagon tamperproof, 25 mm, 6 mm
1 x	911.2952	1/4" Bit hexagon tamperproof, 25 mm, 1/8"
1 x	911.2955	1/4" Bit hexagon tamperproof, 25 mm, 3/32"
1 x	911.2958	1/4" Bit hexagon tamperproof, 25 mm, 5/32"
1 x	911.2961	1/4" Bit hexagon tamperproof, 25 mm, 5/64"
1 x	911.2964	1/4" Bit hexagon tamperproof, 25 mm, 7/64"
1 x	911.2967	1/4" Bit hexagon tamperproof, 25 mm, 9/64"
1 x	911.2985	1/4" S2 CLUTCH-TYPE-BIT #1, 25 mm
1 x	911.2988	1/4" S2 CLUTCH-TYPE-BIT #2, 25 mm
1 x	911.2991	1/4" S2 CLUTCH-TYPE-BIT #3, 25 mm
1 x	911.3001	1/4" S2 SQUARE-BIT #0, 25 mm NICKEL PLATED
1 x	911.3004	1/4" square bit #1, 25 mm, S2
1 x	911.3007	1/4" square bit #2, 25 mm, S2
1 x	911.3010	1/4" square bit #3, 25 mm, S2
1 x	911.3016	1/4" Bit hexagon 1/16", 25 mm, S2
1 x	911.3019	1/4" Bit hexagon 5/64", 25 mm, S2
1 x	911.3022	1/4" Bit hexagon 3/32", 25 mm, S2

AMT	ITEM NO.	DESCRIPTION
1 x	911.3025	1/4" Bit hexagon 7/64", 25 mm, S2
1 x	911.3028	1/4" Bit hexagon 1/8", 25 mm, S2
1 x	911.3031	1/4" Bit hexagon 9/64", 25 mm, S2
1 x	911.3034	1/4" Bit hexagon 5/32", 25 mm, S2
1 x	911.3037	1/4" Bit hexagon 3/16", 25 mm, S2
1 x	911.3040	1/4" Bit hexagon 7/32", 25 mm, S2
1 x	911.3043	1/4" Bit hexagon 1/4", 25 mm, S2
1 x	911.3046	Bit PH, 25 mm, PH0
1 x	911.3049	1/4" Bit PZ, 25 mm, PZ0
1 x	911.3055	1/4" S2 TORX-BIT T5, 25 mm
1 x	911.3058	1/4" Bit Torx, 25 mm, T6
1 x	911.3061	1/4" Bit PH, 25 mm, PH00
1 x	911.3064	1/4" Bit PZ, 25 mm, PZ00
1 x	911.3101	1/4" Bit tamperproof five star, TS10
1 x	911.3102	1/4" Bit tamperproof five star, TS15
1 x	911.3103	1/4" Bit tamperproof five star, TS20
1 x	911.3104	1/4" Bit tamperproof five star, TS25
1 x	911.3105	1/4" Bit tamperproof five star, TS27
1 x	911.3106	1/4" Bit tamperproof five star, TS30
1 x	911.3107	1/4" Bit tamperproof five star, TS40
1 x	911.3122	10 mm Bit tamperproof five star, TS45
1 x	911.3123	10 mm Bit tamperproof five star, TS50
1 x	911.7502	1/4" Bit Torx tamperproof, 75 mm, TB10
1 x	911.7503	1/4" Bit Torx tamperproof, 75 mm, TB15
1 x	911.7504	1/4" Bit Torx tamperproof, 75 mm, TB20
1 x	911.7505	1/4" Bit Torx tamperproof, 75 mm, TB25
1 x	911.7506	1/4" Bit Torx tamperproof, 75 mm, TB27
1 x	911.7507	1/4" Bit Torx tamperproof, 75 mm, TB30
1 x	911.7509	1/4" Bit Torx tamperproof, 75 mm, TB40
1 x	911.7527	1/4" Bit, 75 mm, PZ1
1 x	911.7528	1/4" Bit, 75 mm, PZ2
1 x	911.7529	1/4" Bit, 75 mm, PZ3
1 x	911.7530	1/4" Bit, 75 mm, PH1
1 x	911.7531	1/4" Bit, 75 mm, PH2
1 x	911.7539	1/4" Bit, 75 mm, PH3
1 x	911.7559	1/4" Bit hexagon, 75 mm, 2,5 mm
1 x	911.7560	1/4" Bit hexagon, 75 mm, 3 mm
1 x	911.7561	1/4" Bit hexagon, 75 mm, 4 mm
1 x	911.7562	1/4" Bit hexagon, 75 mm, 5 mm
1 x	911.7563	1/4" Bit hexagon, 75 mm, 6 mm

711.1059



Pliers and screwdriver set,
59 pcs, 1/1 system insert



711.1059



Pliers and screwdriver set, 59 pcs, 1/1 system insert

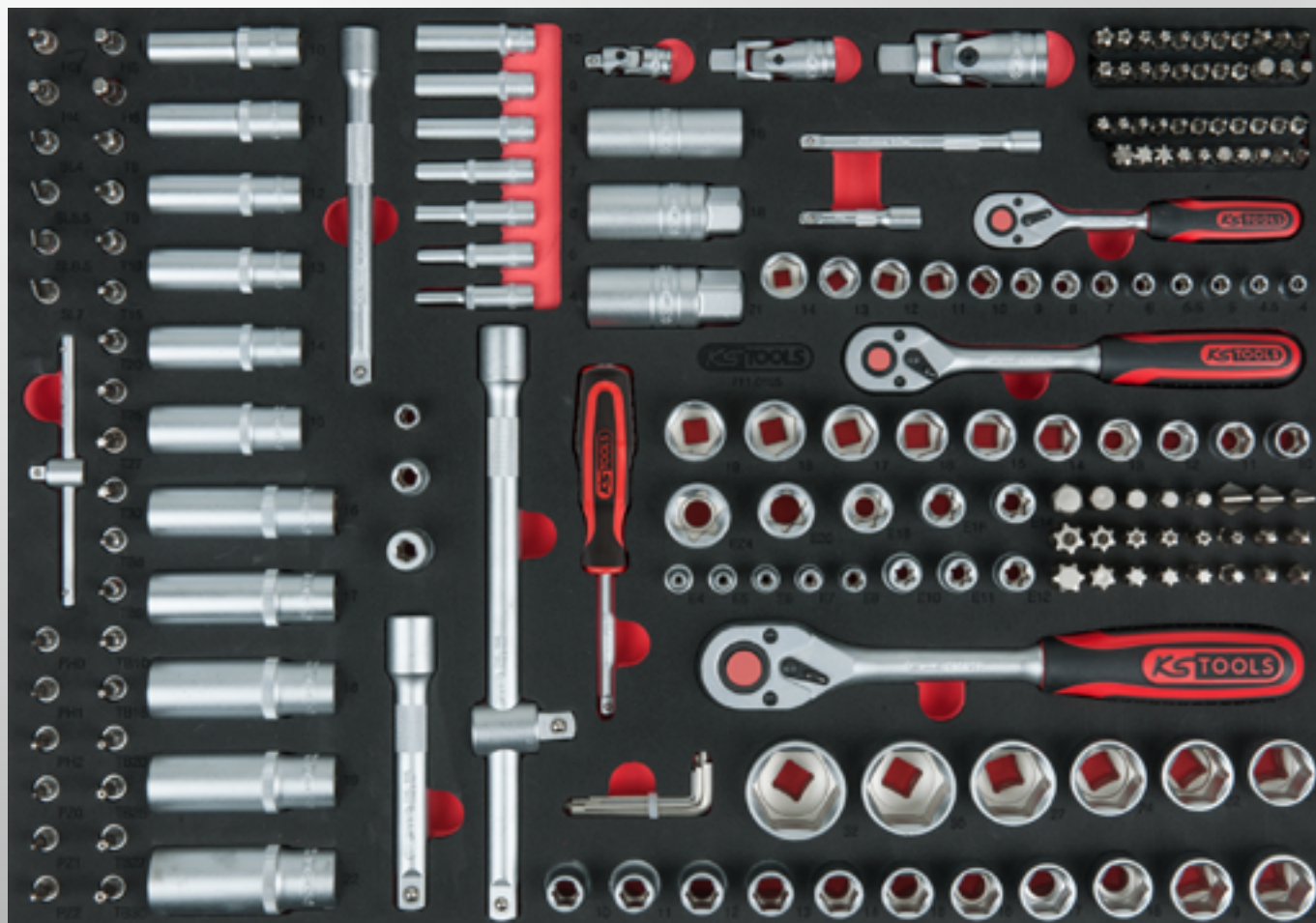
AMT	ITEM NO.	DESCRIPTION
1 x	115.1012	ERGOTORQUE diagonal side cutter, 160 mm
1 x	115.1021	ERGOTORQUE combination pliers, 180 mm
1 x	115.1024	ERGOTORQUE long nose pliers serrated cutter, 200 mm
1 x	115.2001	Water pump pliers, 240 mm, 10"
1 x	151.2100	3 in 1 Ball ended hexagon key wrench set, 8 pcs long
1 x	151.2300	3 in 1 Torx key wrench set, long, 8 pcs
1 x	159.1001	ERGOTORQUEplus screwdriver for slotted screws, 6 mm, stubby
1 x	159.1002	ERGOTORQUEplus screwdriver for slotted screws, 3 mm, 155 mm
1 x	159.1004	ERGOTORQUEplus screwdriver for slotted screws, 4 mm, 180 mm
1 x	159.1005	ERGOTORQUEplus screwdriver for slotted screws, 5,5 mm, 205 mm
1 x	159.1008	ERGOTORQUEplus screwdriver for slotted screws, 6,5 mm, 230 mm
1 x	159.1010	ERGOTORQUEplus screwdriver for slotted screws, 8 mm, 265 mm
1 x	159.1012	ERGOTORQUEplus screwdriver for slotted screws, 10 mm, 315 mm

AMT	ITEM NO.	DESCRIPTION
1 x	159.1022	ERGOTORQUEplus screwdriver for screws PH, PH2, 230 mm
1 x	159.1024	ERGOTORQUEplus screwdriver for screws PH, PH3, 265 mm
1 x	159.1026	ERGOTORQUEplus screwdriver for screws PH, PH2, stubby
1 x	159.1027	ERGOTORQUEplus screwdriver for screws PH, PH0, 155 mm
1 x	159.1029	ERGOTORQUEplus screwdriver for screws PH, PH1, 205 mm
1 x	159.1042	ERGOTORQUEplus screwdriver for screws PZ, PZ2, 230 mm
1 x	159.1044	ERGOTORQUEplus screwdriver for screws PZ, PZ3, 265 mm
1 x	159.1047	ERGOTORQUEplus screwdriver for screws PZ, PZ0, 180 mm
1 x	159.1049	ERGOTORQUEplus screwdriver for screws PZ, PZ1, 205 mm
1 x	159.1198	ERGOTORQUEplus 1/4" bit screwdriver 205 mm
1 x	514.1102	Bit holder, magnetic, 1/4", 50 mm
1 x	911.2255	1/4" Bit hexagon, 25 mm, 3 mm

AMT	ITEM NO.	DESCRIPTION
1 x	911.2258	1/4" Bit hexagon, 25 mm, 4 mm
1 x	911.2261	1/4" Bit hexagon, 25 mm, 5 mm
1 x	911.2264	1/4" Bit hexagon, 25 mm, 6 mm
1 x	911.2270	1/4" Bit hexagon 8 mm, 25 mm, S2
1 x	911.2282	1/4" Bit Torx tamperproof, 25 mm, TB10
1 x	911.2285	1/4" Bit Torx tamperproof, 25 mm, TB15
1 x	911.2288	1/4" Bit Torx tamperproof, 25 mm, TB20
1 x	911.2291	1/4" Bit Torx tamperproof, 25 mm, TB25
1 x	911.2294	1/4" Bit Torx tamperproof, 25 mm, TB27
1 x	911.2297	1/4" Bit Torx tamperproof, 25 mm, TB30
1 x	911.2300	1/4" Bit Torx tamperproof, 25 mm, TB40
1 x	911.2312	1/4" Bit Torx, 25 mm, T10
1 x	911.2315	1/4" Bit Torx, 25 mm, T15
1 x	911.2318	1/4" Bit Torx, 25 mm, T20
1 x	911.2321	1/4" Bit Torx, 25 mm, T25
1 x	911.2324	1/4" Bit Torx, 25 mm, T27
1 x	911.2327	1/4" Bit Torx, 25 mm, T30
1 x	911.2330	1/4" Bit Torx, 25 mm, T40
1 x	911.2377	1/4" Bit hexagon 2 mm, 25 mm
1 x	911.2386	1/4" Bit hexagon 2,5 mm, 25 mm

1/4"+3/8"+1/2" socket set

195 pcs, 1/1 system insert



AMT	ITEM NO.	DESCRIPTION
1 x	151.2370	Hexagon key wrench set, 7 pcs, short
1 x	911.1202	Extensions, 1/2", 125 mm
1 x	911.1203	Extensions, 1/2", 250 mm
1 x	911.1205	1/2" Socket for spark plugs, 16 mm
1 x	911.1206	1/2" Socket for spark plugs, 21 mm
1 x	911.1207	3/8" Sliding adaptor, 3/8"Fx1/2"M
1 x	911.1250	1/2" Universal joint
1 x	911.1401	1/4" Bit socket, PZ1
1 x	911.1402	1/4" Bit socket, PZ2
1 x	911.1415	1/4" Bit socket, PH1
1 x	911.1416	1/4" Bit socket, PH2
1 x	911.1418	1/4" Bit socket slot, 4 mm
1 x	911.1419	1/4" Bit socket slot, 5,5 mm
1 x	911.1420	1/4" Bit socket slot, 7 mm
1 x	911.1423	1/4" Extension with hexagon drive, 50 mm
1 x	911.1424	1/4" Extension with hexagon drive, 100 mm
1 x	911.1425	Sliding T-bar, 1/4", 110 mm
1 x	911.1434	1/4" Square drive screwdriver, 150 mm

AMT	ITEM NO.	DESCRIPTION
1 x	911.1436	1/4" Bit socket hexagon, 3 mm
1 x	911.1437	1/4" Bit socket hexagon, 4 mm
1 x	911.1438	1/4" Bit socket hexagon, 5 mm
1 x	911.1439	1/4" Bit socket hexagon, 6 mm
1 x	911.1442	1/4" Bit socket Torx, T10
1 x	911.1443	1/4" Bit socket Torx, T15
1 x	911.1444	1/4" Bit socket Torx, T20
1 x	911.1445	1/4" Bit socket Torx, T25
1 x	911.1446	1/4" Bit socket Torx, T30
1 x	911.1448	1/4" Bit socket Torx, T8
1 x	911.1449	1/4" Bit socket Torx, T27
1 x	911.1450	1/4" Universal joint
1 x	911.1461	1/4" Bit socket Torx tamperproof, TB8
1 x	911.1462	1/4" Bit socket Torx tamperproof, TB10
1 x	911.1463	1/4" Bit socket Torx tamperproof, TB15
1 x	911.1464	1/4" Bit socket Torx tamperproof, TB20
1 x	911.1465	1/4" Bit socket Torx tamperproof, TB25
1 x	911.1466	1/4" Bit socket Torx tamperproof, TB27

AMT	ITEM NO.	DESCRIPTION
1 x	911.1467	1/4" Bit socket Torx tamperproof, TB30
1 x	911.1478	1/4" Bit socket Torx, T9
1 x	911.1482	1/4" Bit socket, PH0
1 x	911.1483	1/4" Bit socket, PZ0
1 x	911.1485	1/4" Bit socket Torx tamperproof, TB9
1 x	911.2201	1/4" Bit PH, 25 mm, PH1
1 x	911.2204	1/4" Bit PH, 25 mm, PH2
1 x	911.2207	1/4" Bit PH, 25 mm, PH3
1 x	911.2219	1/4" Bit PZ, 25 mm, PZ1
1 x	911.2222	1/4" Bit PZ, 25 mm, PZ2
1 x	911.2258	1/4" Bit hexagon, 25 mm, 4 mm
1 x	911.2261	1/4" Bit hexagon, 25 mm, 5 mm
1 x	911.2264	1/4" Bit hexagon, 25 mm, 6 mm
1 x	911.2273	1/4" Bit Torx tamperproof, 25 mm, TB7
1 x	911.2282	1/4" Bit Torx tamperproof, 25 mm, TB10
1 x	911.2285	1/4" Bit Torx tamperproof, 25 mm, TB15
1 x	911.2288	1/4" Bit Torx tamperproof, 25 mm, TB20
1 x	911.2291	1/4" Bit Torx tamperproof, 25 mm, TB25



1/4"+3/8"+1/2" socket set

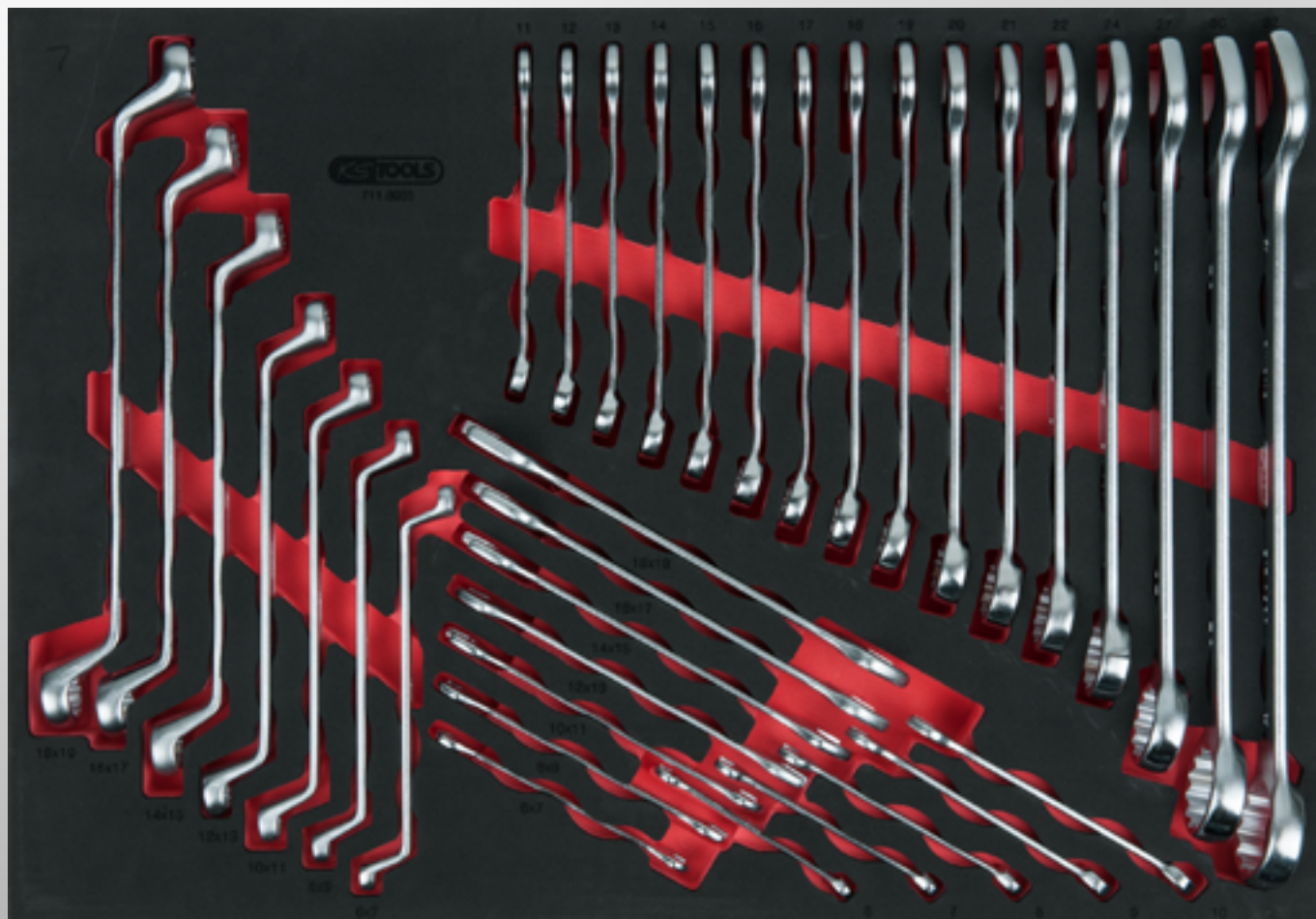
195 pcs, 1/1 system insert

AMT	ITEM NO.	DESCRIPTION
1 x	911.2294	1/4" Bit Torx tamperproof, 25 mm, TB27
1 x	911.2297	1/4" Bit Torx tamperproof, 25 mm, TB30
1 x	911.2300	1/4" Bit Torx tamperproof, 25 mm, TB40
1 x	911.2303	1/4" Bit Torx, 25 mm, T7
1 x	911.2306	1/4" Bit Torx, 25 mm, T8
1 x	911.2309	1/4" Bit Torx, 25 mm, T9
1 x	911.2312	1/4" Bit Torx, 25 mm, T10
1 x	911.2315	1/4" Bit Torx, 25 mm, T15
1 x	911.2318	1/4" Bit Torx, 25 mm, T20
1 x	911.2321	1/4" Bit Torx, 25 mm, T25
1 x	911.2324	1/4" Bit Torx, 25 mm, T27
1 x	911.2327	1/4" Bit Torx, 25 mm, T30
1 x	911.2334	1/4" Bit Torx, 25 mm, T6
1 x	911.2344	1/4" Bit spline XZN, 25 mm, M5
1 x	911.2347	1/4" Bit spline XZN, 25 mm, M6
1 x	911.2350	1/4" Bit spline XZN, 25 mm, M8
1 x	911.3101	1/4" Bit tamperproof five star, TS10
1 x	911.3102	1/4" Bit tamperproof five star, TS15
1 x	911.3103	1/4" Bit tamperproof five star, TS20
1 x	911.3104	1/4" Bit tamperproof five star, TS25
1 x	911.3105	1/4" Bit tamperproof five star, TS27
1 x	911.3106	1/4" Bit tamperproof five star, TS30
1 x	911.3107	1/4" Bit tamperproof five star, TS40
1 x	911.3108	1/4" Bit tamperproof five star, TS45
1 x	911.3359	1/4" Bit Torx, 25 mm, T5
1 x	911.3691	5/16" Bit Torx, 30 mm, T30
1 x	911.3694	5/16" Bit Torx tamperproof, 30 mm, TB30
1 x	911.3802	3/8" Extension with knurling, 150 mm
1 x	911.3823	3/8" Spark plug socket, 18 mm
1 x	911.3850	3/8" Universal joint
1 x	911.4313	1/4" Torx E Socket, E4
1 x	911.4314	1/4" Torx E Socket, E5
1 x	911.4315	1/4" Torx E Socket, E6
1 x	911.4316	1/4" Torx E Socket, E7
1 x	911.4317	1/4" Torx E Socket, E8
1 x	911.4318	3/8" Torx E Socket, E10
1 x	911.4319	3/8" Torx E Socket, E11
1 x	911.4320	3/8" Torx E Socket, E12
1 x	911.4321	3/8" Torx E Socket, E14
1 x	911.4324	1/2" Torx E Socket, E20
1 x	911.4326	1/2" Torx E Socket, E24
1 x	911.4327	1/4" Bit adaptor socket with clamping ring
1 x	911.4331	3/8" Bit adaptor socket, 3/8" x 5/16", 28 mm
1 x	911.4343	3/8" Torx E Socket, E16
1 x	911.4344	3/8" Torx E Socket, E18
1 x	911.4351	1/2" Bit adaptor socket, 1/2" x 5/16", 38 mm
1 x	911.5123	5/16" Bit PZ, 30 mm, PZ3
1 x	911.5124	5/16" Bit PZ, 30 mm, PZ4
1 x	911.5126	5/16" Bit hexagon, 30 mm, 6 mm
1 x	911.5127	5/16" Bit hexagon, 30 mm, 7 mm
1 x	911.5128	5/16" Bit hexagon, 30 mm, 8 mm

AMT	ITEM NO.	DESCRIPTION
1 x	911.5129	5/16" Bit hexagon, 30 mm, 10 mm
1 x	911.5130	5/16" Bit hexagon, 30 mm, 12 mm
1 x	911.5134	5/16" Bit PH, 30 mm, PH3
1 x	911.5135	5/16" Bit PH, 30 mm, PH4
1 x	911.5136	5/16" Bit Torx tamperproof, 30 mm, TB40
1 x	911.5137	5/16" Bit Torx tamperproof, 30 mm, TB45
1 x	911.5138	5/16" Bit Torx tamperproof, 30 mm, TB50
1 x	911.5139	5/16" Bit Torx tamperproof, 30 mm, TB55
1 x	911.5140	5/16" Bit Torx tamperproof, 30 mm, TB60
1 x	911.5141	5/16" Bit slot, 30 mm, 8 mm
1 x	911.5142	5/16" Bit slot, 30 mm, 10 mm
1 x	911.5143	5/16" Bit slot, 30 mm, 12 mm
1 x	911.5144	5/16" Bit Torx, 30 mm, T40
1 x	911.5145	5/16" Bit Torx, 30 mm, T45
1 x	911.5146	5/16" Bit Torx, 30 mm, T50
1 x	911.5147	5/16" Bit Torx, 30 mm, T55
1 x	911.5148	5/16" Bit Torx, 30 mm, T60
1 x	911.5261	1/4" Bit RIBE, 25 mm, M5
1 x	911.5262	1/4" Bit RIBE, 25 mm, M6
1 x	911.5263	1/4" Bit RIBE, 25 mm, M7
1 x	911.5264	1/4" Bit RIBE, 25 mm, M8
1 x	911.5265	1/4" Bit RIBE, 25 mm, M9
1 x	914.1290	Reversible ratchet, 1/2", 72 teeth
1 x	914.1490	Reversible ratchet, 1/4", 72 teeth
1 x	914.3890	Reversible ratchet, 3/8", 72 teeth
1 x	917.1210	1/2" Hexagonal socket, 10 mm
1 x	917.1211	1/2" Hexagonal socket, 11 mm
1 x	917.1212	1/2" Hexagonal socket, 12 mm
1 x	917.1213	1/2" Hexagonal socket, 13 mm
1 x	917.1214	1/2" Hexagonal socket, 14 mm
1 x	917.1215	1/2" Hexagonal socket, 15 mm
1 x	917.1216	1/2" Hexagonal socket, 16 mm
1 x	917.1217	1/2" Hexagonal socket, 17 mm
1 x	917.1218	1/2" Hexagonal socket, 18 mm
1 x	917.1219	1/2" Hexagonal socket, 19 mm
1 x	917.1220	1/2" Hexagonal socket, 20 mm
1 x	917.1221	1/2" Hexagonal socket, 21 mm
1 x	917.1222	1/2" Hexagonal socket, 22 mm
1 x	917.1224	1/2" Hexagonal socket, 24 mm
1 x	917.1227	1/2" Hexagonal socket, 27 mm
1 x	917.1230	1/2" Hexagonal socket, 30 mm
1 x	917.1232	1/2" Hexagonal socket, 32 mm
1 x	917.1246	1/2" Hexagonal socket, deep, 16 mm
1 x	917.1247	1/2" Hexagonal socket, deep, 17 mm
1 x	917.1248	1/2" Hexagonal socket, deep, 18 mm
1 x	917.1249	1/2" Hexagonal socket, deep, 19 mm
1 x	917.1252	1/2" Hexagonal socket, deep, 22 mm
1 x	917.1404	1/4" Hexagonal socket, 4 mm
1 x	917.14045	1/4" Hexagonal socket, 4,5 mm
1 x	917.1405	1/4" Hexagonal socket, 5 mm
1 x	917.14055	1/4" Hexagonal socket, 5,5 mm

AMT	ITEM NO.	DESCRIPTION
1 x	917.1406	1/4" Hexagonal socket, 6 mm
1 x	917.1407	1/4" Hexagonal socket, 7 mm
1 x	917.1408	1/4" Hexagonal socket, 8 mm
1 x	917.1409	1/4" Hexagonal socket, 9 mm
1 x	917.1410	1/4" Hexagonal socket, 10 mm
1 x	917.1411	1/4" Hexagonal socket, 11 mm
1 x	917.1412	1/4" Hexagonal socket, 12 mm
1 x	917.1413	1/4" Hexagonal socket, 13 mm
1 x	917.1414	1/4" Hexagonal socket, 14 mm
1 x	917.1421	1/4" Bit socket slot, 6,5 mm
1 x	917.1426	1/4" Hexagonal socket, deep, 6 mm
1 x	917.1427	1/4" Hexagonal socket, deep, 7 mm
1 x	917.1428	1/4" Hexagonal socket, deep, 8 mm
1 x	917.1429	1/4" Hexagonal socket, deep, 9 mm
1 x	917.1430	1/4" Hexagonal socket, deep, 10 mm
1 x	917.1525	1/4" Hexagonal socket, deep, 4 mm
1 x	917.1527	1/4" Hexagonal socket, deep, 5 mm
1 x	917.3810	3/8" Hexagonal socket, 10 mm
1 x	917.3811	3/8" Hexagonal socket, 11 mm
1 x	917.3812	3/8" Hexagonal socket, 12 mm
1 x	917.3813	3/8" Hexagonal socket, 13 mm
1 x	917.3814	3/8" Hexagonal socket, 14 mm
1 x	917.3815	3/8" Hexagonal socket, 15 mm
1 x	917.3816	3/8" Hexagonal socket, 16 mm
1 x	917.3817	3/8" Hexagonal socket, 17 mm
1 x	917.3818	3/8" Hexagonal socket, 18 mm
1 x	917.3819	3/8" Hexagonal socket, 19 mm
1 x	917.3830	3/8" Hexagonal socket, deep, 10 mm
1 x	917.3831	3/8" Hexagonal socket, deep, 11 mm
1 x	917.3832	3/8" Hexagonal socket, deep, 12 mm
1 x	917.3833	3/8" Hexagonal socket, deep, 13 mm
1 x	917.3834	3/8" Hexagonal socket, deep, 14 mm
1 x	917.3835	3/8" Hexagonal socket, deep, 15 mm

Wrench set, 35 pcs, 1/1 system insert



AMT	ITEM NO.	DESCRIPTION
1 x	517.0606	Combination spanners, offset, 6 mm
1 x	517.0607	Combination spanners, offset, 7 mm
1 x	517.0608	Combination spanners, offset, 8 mm
1 x	517.0609	Combination spanners, offset, 9 mm
1 x	517.0610	Combination spanners, offset, 10 mm
1 x	517.0611	Combination spanners, offset, 11 mm
1 x	517.0612	Combination spanners, offset, 12 mm
1 x	517.0613	Combination spanners, offset, 13 mm
1 x	517.0614	Combination spanners, offset, 14 mm
1 x	517.0615	Combination spanners, offset, 15 mm
1 x	517.0616	Combination spanners, offset, 16 mm
1 x	517.0617	Combination spanners, offset, 17 mm

AMT	ITEM NO.	DESCRIPTION
1 x	517.0618	Combination spanners, offset, 18 mm
1 x	517.0619	Combination spanners, offset, 19 mm
1 x	517.0620	Combination spanners, offset, 20 mm
1 x	517.0621	Combination spanners, offset, 21 mm
1 x	517.0622	Combination spanners, offset, 22 mm
1 x	517.0624	Combination spanners, offset, 24 mm
1 x	517.0627	Combination spanners, offset, 27 mm
1 x	517.0630	Combination spanners, offset, 30 mm
1 x	517.0632	Combination spanners, offset, 32 mm
1 x	517.0701	Double open ended spanners, 6x7 mm
1 x	517.0702	Double open ended spanners, 8x9 mm
1 x	517.0704	Double open ended spanners, 10x11 mm

AMT	ITEM NO.	DESCRIPTION
1 x	517.0707	Double open ended spanners, 12x13 mm
1 x	517.0709	Double open ended spanners, 14x15 mm
1 x	517.0710	Double open ended spanners, 16x17 mm
1 x	517.0712	Double open ended spanners, 18x19 mm
1 x	517.0801	Double ring spanner, offset, 6x7 mm
1 x	517.0802	Double ring spanner, offset, 8x9 mm
1 x	517.0804	Double ring spanner, offset, 10x11 mm
1 x	517.0807	Double ring spanner, offset, 12x13 mm
1 x	517.0809	Double ring spanner, offset, 14x15 mm
1 x	517.0810	Double ring spanner, offset, 16x17 mm
1 x	517.0812	Double ring spanner, offset, 18x19 mm

711.1018



File, chisel and hammer set, 18 pcs, 1/1 system insert



AMT	ITEM NO.	DESCRIPTION
1 x	142.1330	Fitters hammer, hickory handle, 300g
1 x	142.5100	Club hammer with hickory handle, 1000 g
1 x	156.0111	Pin punch octagonal shaft, mirror polished, Ø 2mm
1 x	156.0112	Pin punch octagonal shaft, mirror polished, Ø 3mm
2 x	156.0113	Pin punch octagonal shaft, mirror polished, Ø 4mm

AMT	ITEM NO.	DESCRIPTION
1 x	156.0114	Pin punch octagonal shaft, mirror polished, Ø 5mm
1 x	156.0115	Pin punch octagonal shaft, mirror polished, Ø 6mm
1 x	156.0116	Pin punch octagonal shaft, mirror polished, Ø 8mm
1 x	156.0131	Pin punch, Ø 3mm
1 x	156.0161	Cross chisel, 130mm

AMT	ITEM NO.	DESCRIPTION
1 x	156.0162	Flat chisel, octagonal shaft, 130mm
1 x	156.0175	Centre punch, mirror polished, octagonal shaft, Ø 5mm
1 x	157.0105	Halfround file, form E, cut2, 20mm
1 x	157.0205	Round file, form F, cut2, 200mm
1 x	157.0305	Square file, form D, cut2, 200mm
1 x	157.0405	Tri-bastard file, form C, cut2, 200mm
1 x	162.0421	Bodywork slitting chisel, thin, 240mm

897.7515



ECO *Line*

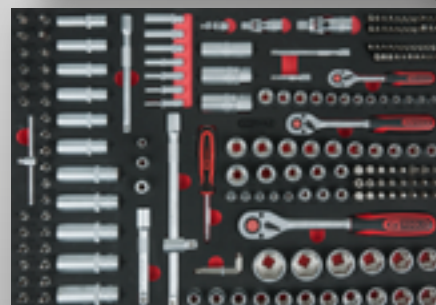
with **515** Premium tools



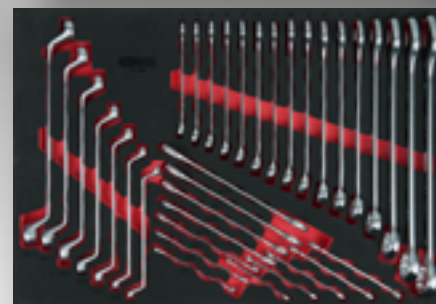
1 711.1059



2 711.0195



3 711.3035



4 711.1018



749,-* €

* This is an limited special price offer - only until stocks last.
All prices plus VAT. With the publication of this brochure all previous prices lose their validity.
Sale only to specialist dealers. Subject to misprints, mistakes and technical changes. Prices valid until March 31, 2022

826.7515



RACING Line

with **515** Premium tools

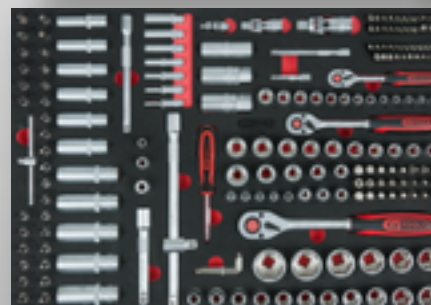


911.2008

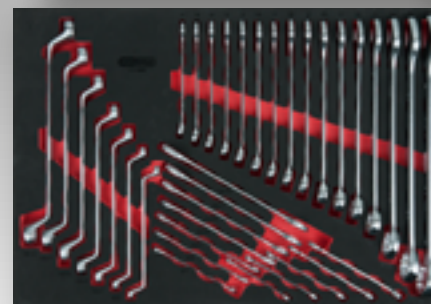
1 711.1059



2 711.0195



3 711.3035



4 711.1018



799,-* €

* This is an limited special price offer - only until stocks last.
All prices plus VAT. With the publication of this brochure all previous prices lose their validity.
Sale only to specialist dealers. Subject to misprints, mistakes and technical changes. Prices valid until March 31, 2022