
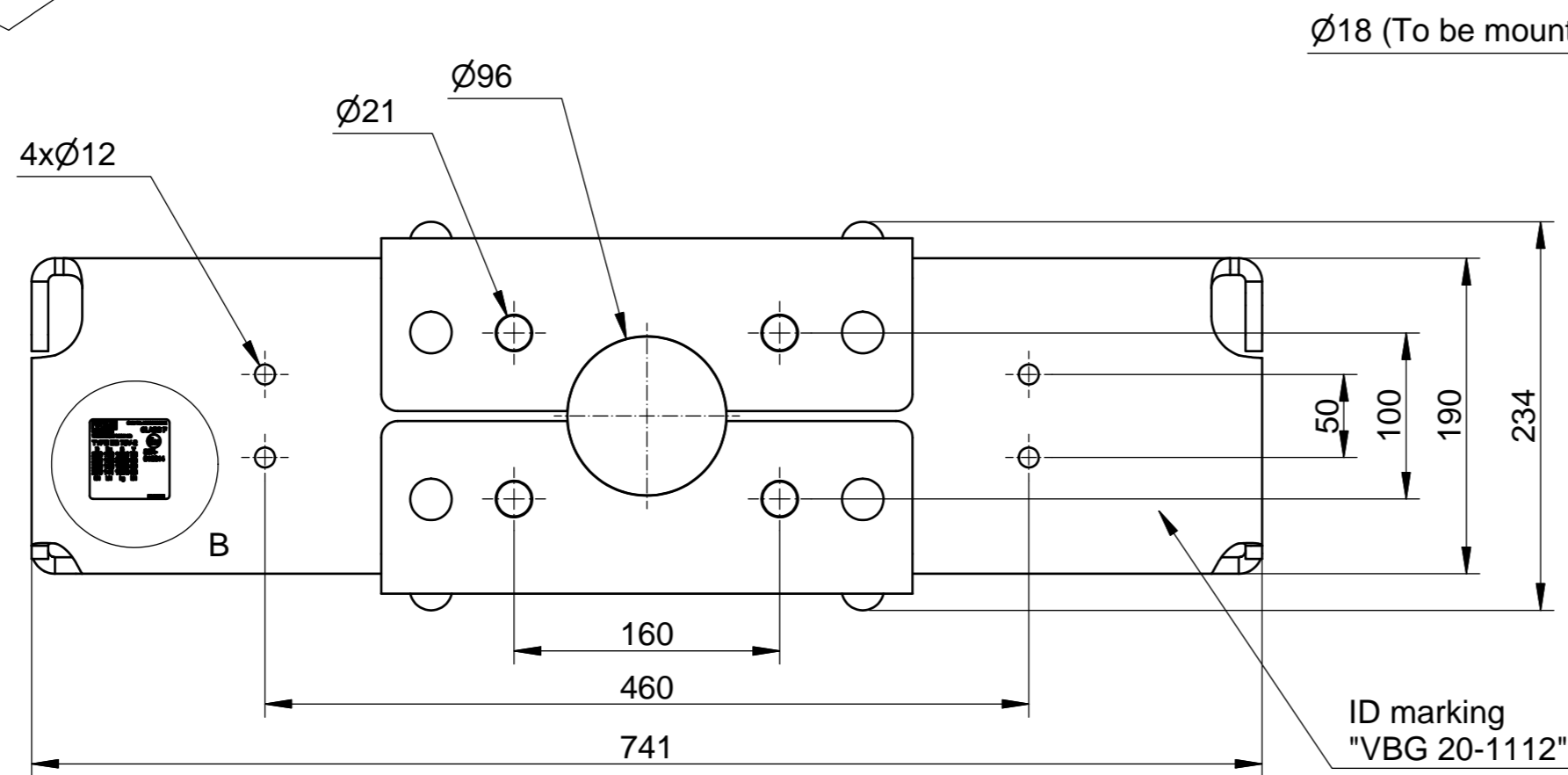
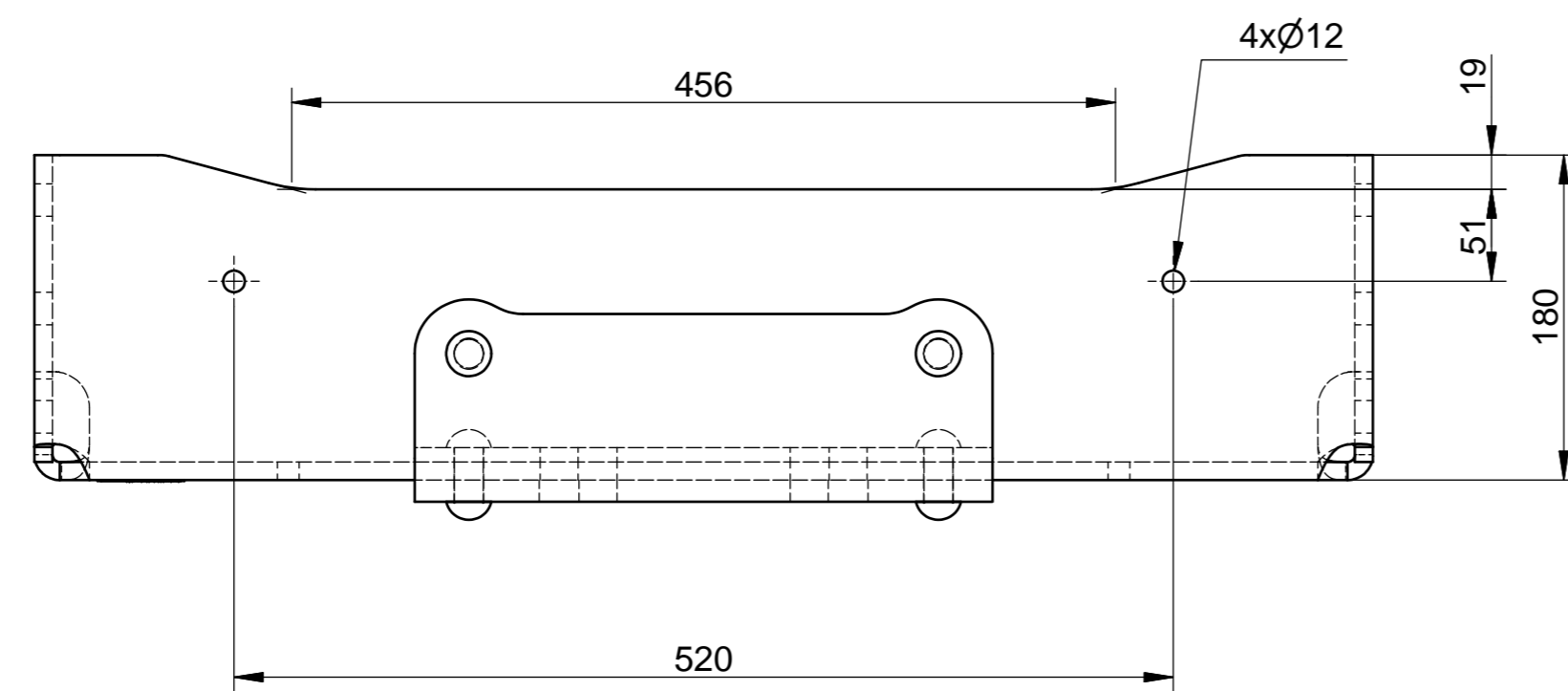
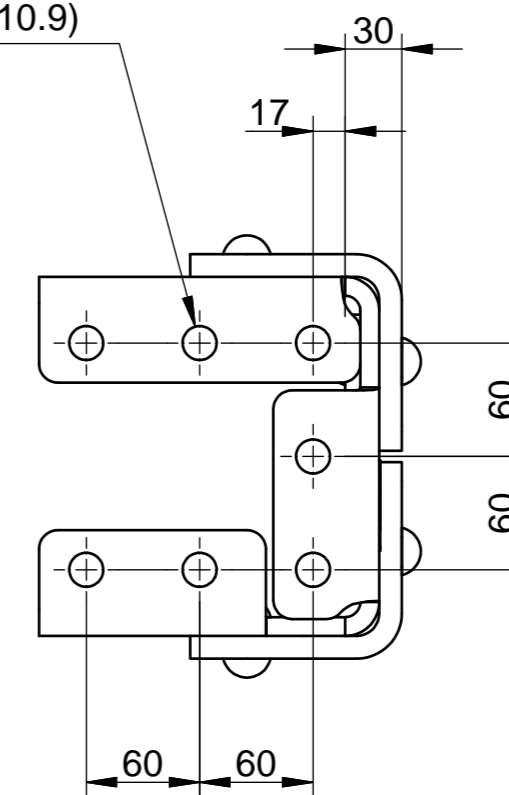

 Order No. X00000000X
CLASS F
TYPE DB 75V-2 
 VBG GROUP TRUCK EQUIPMENT AB
 D Dc S V 55R-
 200 130 1000 75 018244
 200 150 1000 50
 200 141 1000 63
 kN kN kg kN
 38-248700



Ø18 (To be mounted with M16 grade 10.9)



VBG GROUP		Modified Date	Modified by	Modification No.	Issue
		2013-03-08	SN	11973	b
Description DB75V-2 L=742		3D Model No.	Engineer	Checked by	
		20-111200	SJ		
Sheet Size	Scale	Projection	Drafting Date	Drafted by	
A2	1:4		2011-10-14	SJ	
Stage	Drawing No.	P 20-111200 (F) INFO			
<small>This drawing is the property of VBG Group AB and is protected in accordance with prevailing law. Changes must be made in CAD-program, this concerns both 2D & 3D.</small>					